

wall mounting socket outlet - with external fixing



Product description	
BALS-Prd.-Nr	100
EAN	4024941001007
Product category	Wall mounting socket outlet, Wall mounting socket outlet, Wall mounting socket outlet, Wall mounting socket outlet
Current	16A, 16A, 16A, 16A
Number of poles	5p, 5p, 5p, 5p
Arrangement of phases	3p+N+PE, 3p+N+PE, 3p+N+PE, 3p+N+PE
Position of earth contact	6 h, 6 h, 6 h, 6 h
Voltage	200/346 - 240/415V~, 200/346 - 240/415V~, 200/346 - 240/415V~, 200/346 - 240/415V~

Product description	
Frequency	50/60Hz, 50/60Hz, 50/60Hz, 50/60Hz
Protection degree	IP44, IP44, IP44, IP44
Colour code	red RAL 3000, red RAL 3000, red RAL 3000, red RAL 3000
Colour of appliance	Housing top red RAL 3000, Collar red RAL 3000, Hinged lid red RAL 3000, Housing bottom grey RAL 7035, Hinged lid red RAL 3000, Collar red RAL 3000, Housing top red RAL 3000, Housing bottom grey RAL 7035, Hinged lid red RAL 3000, Collar red RAL 3000, Housing top red RAL 3000, Housing bottom grey RAL 7035, Hinged lid red RAL 3000, Collar red RAL 3000, Housing top red RAL 3000, Housing bottom grey RAL 7035
Connection design	with screw terminal, with screw terminal, with screw terminal, with screw terminal
Maximum conductor size	4,0 qmm, 4,0 qmm, 4,0 qmm, 4,0 qmm
Cable entry	top entry M25, top entry M25, top entry M25, top entry M25
Height	131mm, 131mm, 131mm, 131mm
Width	87mm, 87mm, 87mm, 87mm
Depth	98mm, 98mm, 98mm, 98mm
Dimension of enclosure	90x87 mm (HxW), 90x87 mm (HxW), 90x87 mm (HxW), 90x87 mm (HxW)
Material of enclosure	Polyamide, Polyamide, Polyamide, Polyamide
Contacts	The contact carrier is made of polyamide, The contacts are brass, The contacts are brass, The contact carrier is made of polyamide, The contacts are brass, The contact carrier is made of polyamide, The contacts are brass, The contact carrier is made of polyamide

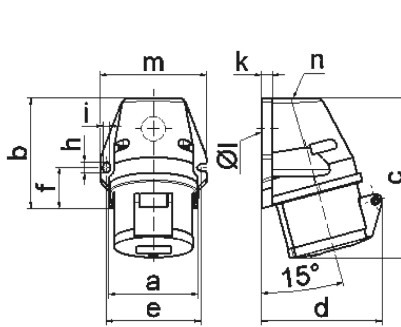
Additional technical information	
	The cable entry is one at top open and one at bottom

Additional technical information

	closed, The cable entry is one at top open and one at bottom closed, The cable entry is one at top open and one at bottom closed, The cable entry is one at top open and one at bottom closed
--	---

Logistics data

Weight/pcs	0.22 kg / Piece
Packaging	Carton
Content amount	10 ST
EAN	4024941827867
Length	387 mm
Width	222 mm
Height	150 mm
Weight	2.393 kg
Volume	11,029.5 ccm



1 MB 19

Ampere Polzahl	16 3	16 4	16 5	32 3	32 4	32 5
a	59,5	72,4	72,4	79,1	79,1	79,1
b	90,0	90,0	90,0	92,0	92,0	92,0
c	130,0	130,0	131,0	142,0	142,0	142,0
d	85,0	96,0	98,0	103,0	103,0	106,0
e	62,0	77,0	77,0	84,0	84,0	84,0
f	33,5	33,5	33,5	30,0	30,0	30,0
h	9,0	9,0	9,0	9,0	9,0	9,0
i	5,5	5,5	5,5	5,5	5,5	5,5
k	8,0	9,0	9,0	9,0	9,0	9,0
l ø	21,0	21,0	21,0	21,0	21,0	21,0
m	72,0	87,0	87,0	94,0	94,0	94,0
n	M20	M25	M25	M25	M25	M25
Leiter mm ² min	1,5	1,5	1,5	2,5	2,5	2,5
Leiter mm ² max	4	4	4	10	10	10