

wall mounting socket outlet - housing dimensions 100x75



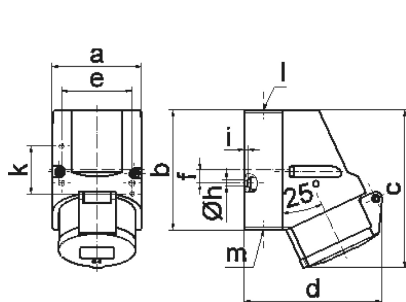
Product description	
BALS-Prd.-Nr	102
EAN	4024941001021
Product category	Wall mounting socket outlet
Current	16A
Number of poles	5p
Arrangement of phases	3p+N+PE
Position of earth contact	6 h
Voltage	200/346 - 240/415V~
Frequency	50/60Hz

Product description	
Protection degree	IP44
Colour code	red RAL 3000
Colour of appliance	Hinged lid red RAL 3000, Housing bottom grey RAL 7035, Housing top grey RAL 7035, Collar red RAL 3000
Connection design	with screw terminal
Maximum conductor size	4,0 qmm
Cable entry	top entry M20
Height	131mm
Width	75mm
Depth	116mm
Dimension of enclosure	100x75 mm (HxW)
Material of enclosure	Polyamide
Contacts	The contacts are brass, The contact carrier is made of polyamide

Additional technical information	
	The cable entry is one at top open and one at bottom and one rear side closed
	Lower part of housing rotatable by 180°

Logistics data	
Weight/pcs	0.26 kg / Piece
Packaging	Carton

Logistics data	
Content amount	10 ST
EAN	4024941827850
Length	387 mm
Width	222 mm
Height	150 mm
Weight	2.793 kg
Volume	11,029.5 ccm



Ampere	16	16	16			
Polzahl	3	4	5			
a	64,0	75,0	75,0			
b	87,0	100,0	100,0			
c	117,0	129,0	131,0			
d	103,0	108,0	116,0			
e	51,0	59,0	59,0			
f	-	11,0	11,0			
h ø	4,1	5,1	5,1			
i	4,5	4,5	4,5			
k	40,0	-	-			
l	M20	M20	M20			
m	für M20	für M20	für M20			
Leiter mm ² min	1,5	1,5	1,5			
Leiter mm ² max	4	4	4			

1 MB 7