

combination wall mounting socket outlet - with terminals but without wiring



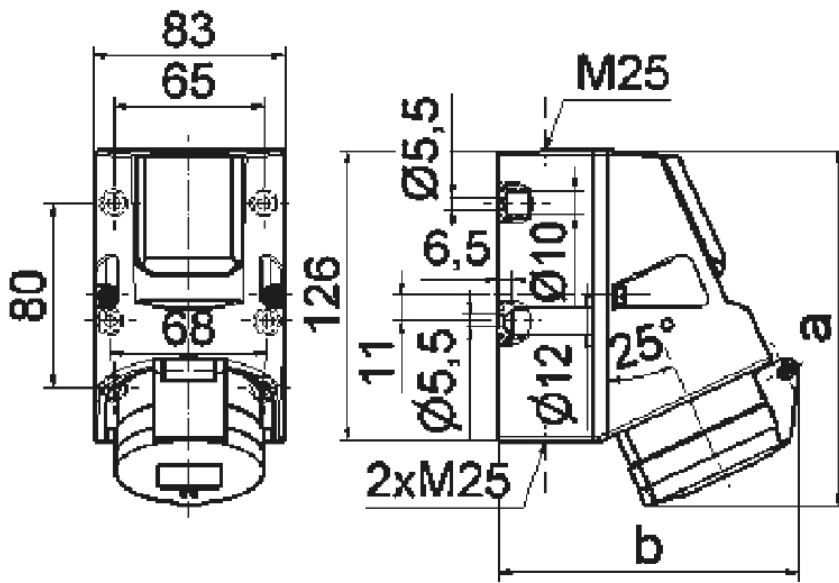
Product description	
BALS-Prd.-Nr	108
EAN	4024941001083
Product category	Combined wall mounting socket outlet
Current	32A
Number of poles	5p
Arrangement of phases	3p+N+PE
Position of earth contact	6 h
Voltage	200/346 - 240/415V~

Product description	
Frequency	50/60Hz
Protection degree	IP44
Colour code	red RAL 3000
Colour of appliance	Housing bottom grey RAL 7035, Housing top grey RAL 7035
Connection design	with screw terminal
Maximum conductor size	10,0 qmm
Cable entry	M25
Height	157mm
Width	83mm
Depth	134mm
Dimension of enclosure	126x83 mm (HxW)
Material of enclosure	plastic
Contacts	The contacts are brass, The contact carrier is made of polyamide

Additional technical information	
	With integrated Schuko-type socket outlet 16A 230V AC German standard

Logistics data	
Weight/pcs	0.465 kg / Piece
Packaging	Bag
Content amount	1 ST

Logistics data	
EAN	4024941001083
Length	134 mm
Width	83 mm
Height	157 mm
Weight	0.466 kg
Volume	1,746.154 ccm
Packaging	Carton
Content amount	10 ST
EAN	4024941949903
Length	330 mm
Width	216 mm
Height	260 mm
Weight	4.876 kg
Volume	17,062.5 ccm



	16A		32A	
	4p	5p	4p	5p
a	154	155	156	157
b	127	130	130	136

1 MB 17