

DC wall mounted socket - housing dimensions 87x64



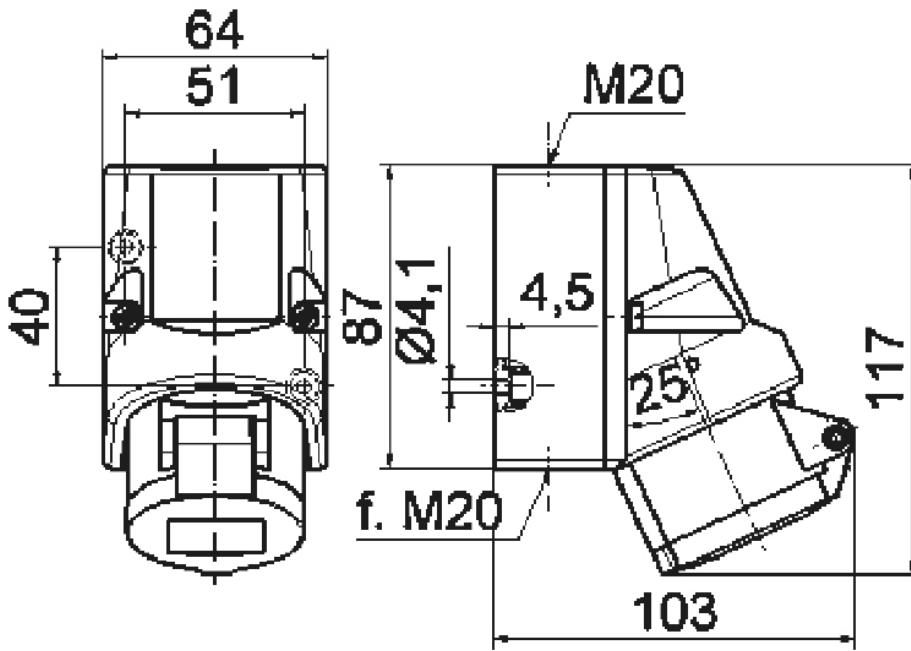
Product description	
BALS-Prd.-Nr	11032
EAN	4024941110327
Product category	Wall mounting socket outlet
Current	16A
Number of poles	3p
Arrangement of phases	2P+PE
Position of earth contact	3 h
Voltage	> 50 - 250V DC
Frequency	DC

Product description	
Protection degree	IP44
Colour code	grey RAL 7035
Colour of appliance	Hinged lid grey RAL 7035, Housing bottom grey RAL 7035, Housing top grey RAL 7035, Collar grey RAL 7035
Connection design	with screw terminal
Maximum conductor size	4,0 qmm
Cable entry	top entry M20
Height	118mm
Width	64mm
Depth	104mm
Dimension of enclosure	87x64 mm (HxW)
Material of enclosure	Polyamide
Contacts	the contacts are brass nickel plated, The contact carrier is made of high temperature resistant material

Additional technical information	
	The cable entry is one at top open and one at bottom and one rear side closed
	Lower part of housing rotatable by 180°

Logistics data	
Weight/pcs	0.196 kg / Piece
Packaging	Bag

Logistics data	
Content amount	1 ST
EAN	4024941110327
Length	104 mm
Width	64 mm
Height	118 mm
Weight	0.197 kg
Volume	785.408 ccm
Packaging	Carton
Content amount	10 ST
EAN	4024941819862
Length	258 mm
Width	183 mm
Height	212 mm
Weight	2.112 kg
Volume	8,750 ccm



1 MB 35