

Wall mounting socket outlet - INNOLINQ lead-free with QUICK-CONNECT



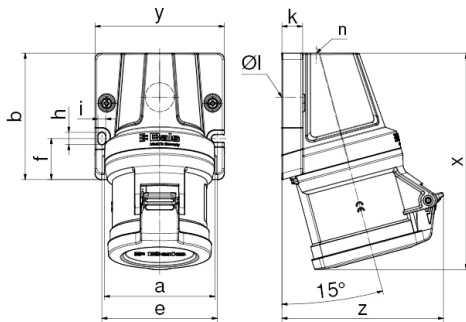
Product description	
BALS-Prd.-Nr	110624
EAN	4024941924733
Product category	Wall mounting socket outlet INNOLINQ QC
Current	16A
Number of poles	5p
Arrangement of phases	3p+N+PE
Position of earth contact	6 h
Voltage	200/346 - 240/415V~

Product description	
Frequency	50/60Hz
Protection degree	IP44
Colour code	red RAL 3000
Colour of appliance	Hinged lid dark grey RAL 7012, Collar red RAL 3000, Housing top dark grey RAL 7012, Housing bottom dark grey RAL 7012
Connection design	screwless spring terminals with KONTEX-ULTRA contact
Maximum conductor size	4,0 qmm
Cable entry	M32
Height	145mm
Width	94mm
Depth	112mm
Dimension of enclosure	92x94 mm (HxW)
Material of enclosure	Polyamide
Contacts	the contacts are brass, the contact carrier is made of high temperature resistant material

Additional technical information	
	The cable entry is one at top open and one at bottom closed, this product is without any lead

Logistics data	
Weight/pcs	0.264 kg / Piece
Packaging	Carton

Logistics data	
Content amount	10 ST
EAN	4024941924740
Length	362 mm
Width	227 mm
Height	204 mm
Weight	2.908 kg
Volume	14,031.5 ccm



Ampere Polzahl	16 5	32 3	32 4	32 5
a	80,0	80,0	80,0	80,0
b	92,0	92,0	92,0	92,0
e	84,0	84,0	84,0	84,0
f	30,0	30,0	30,0	30,0
h	9,0	9,0	9,0	9,0
i	5,5	5,5	5,5	5,5
k	15,0	15,0	15,0	15,0
Øl	21,0	21,0	21,0	21,0
n	M32	M32	M32	M32
x	145,0	157,0	157,0	158,0
y	94,0	94,0	94,0	94,0
z	114,0	112,0	112,0	118,0
Cond. mm ² min	1,0	2,5	2,5	2,5
Cond. mm ² max	4,0	10,0	10,0	10,0

