

# Wall mounting socket outlet - housing dimensions 170x118



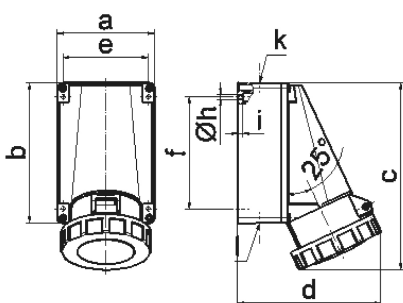
| Product description       |                             |
|---------------------------|-----------------------------|
| BALS-Prd.-Nr              | 11126                       |
| EAN                       | 4024941111263               |
| Product category          | Wall mounting socket outlet |
| Current                   | 63A                         |
| Number of poles           | 5p                          |
| Arrangement of phases     | 3p+N+PE                     |
| Position of earth contact | 2 h                         |
| Voltage                   | > 50V~                      |

| Product description    |  |
|------------------------|--|
| Frequency              | > 300 - 500Hz  |
| Protection degree      | IP67   |
| Colour code            | green RAL 6002   |
| Colour of appliance    | Hinged lid green RAL 6002, Bayonet ring grey RAL 7035, Housing bottom grey RAL 7035, Housing top grey RAL 7035 |
| Connection design      | screw terminal as box terminal with Kontex-contact   |
| Maximum conductor size | 25.0 qmm   |
| Cable entry            | top entry M40 bottom entry M32   |
| Height                 | 228mm  |
| Width                  | 118mm  |
| Depth                  | 176mm  |
| Dimension of enclosure | 170x118 mm (HxW)   |
| Material of enclosure  | Polycarbonate  |
| Contacts               | the contact carrier is made of high temperature resistant material, the contacts are brass nickel plated       |

| Additional technical information |   |
|----------------------------------|---|
|                                  | The cable entry is one at top open and two at bottom closed |
|                                  | Lower part of housing rotatable by 180°                     |

| Logistics data |                |
|----------------|----------------|
| Weight/pcs     | 0.9 kg / Piece |

| Logistics data |               |
|----------------|---------------|
| Packaging      | Bag           |
| Content amount | 1 ST          |
| EAN            | 4024941111263 |
| Length         | 176 mm        |
| Width          | 118 mm        |
| Height         | 228 mm        |
| Weight         | 0.901 kg      |
| Volume         | 4,735.104 ccm |
| Packaging      | Carton        |
| Content amount | 5 ST          |
| EAN            | 4024941827645 |
| Length         | 345 mm        |
| Width          | 345 mm        |
| Height         | 217 mm        |
| Weight         | 4.835 kg      |
| Volume         | 24,276 ccm    |



1 MB 3

| Ampere                     | 63     | 63     | 63     |  |  |  |
|----------------------------|--------|--------|--------|--|--|--|
| Polzahl                    | 3      | 4      | 5      |  |  |  |
| a                          | 118,0  | 118,0  | 118,0  |  |  |  |
| b                          | 170,0  | 170,0  | 170,0  |  |  |  |
| c                          | 228,0  | 228,0  | 228,0  |  |  |  |
| d                          | 176,0  | 176,0  | 176,0  |  |  |  |
| e                          | 104,0  | 104,0  | 104,0  |  |  |  |
| f                          | 136,0  | 136,0  | 136,0  |  |  |  |
| h ø                        | 6,1    | 6,1    | 6,1    |  |  |  |
| i                          | 6,0    | 6,0    | 6,0    |  |  |  |
| k                          | M40    | M40    | M40    |  |  |  |
| l                          | M32/32 | M32/32 | M32/32 |  |  |  |
| Leiter mm <sup>2</sup> min | 6      | 6      | 6      |  |  |  |
| Leiter mm <sup>2</sup> max | 25     | 25     | 25     |  |  |  |