

## Wall mounting socket outlet - housing dimensions 170x90



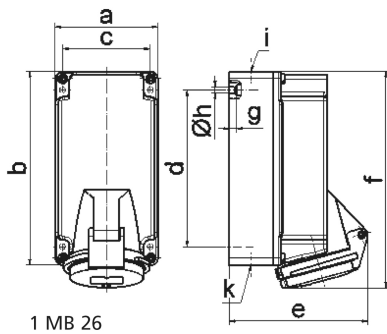
Product description	
BALS-Prd.-Nr	11272
EAN	4024941112727
Product category	Wall mounting socket outlet QUICK-CONNECT
Current	16A
Number of poles	5p
Arrangement of phases	3p+N+PE
Position of earth contact	6 h
Voltage	200/346 - 240/415V~
Frequency	50/60Hz

Product description	
Protection degree	IP44
Colour code	red RAL 3000
Colour of appliance	Hinged lid red RAL 3000, Bayonet ring grey RAL 7035, Housing bottom grey RAL 7035, Housing top grey RAL 7035
Connection design	screwless spring terminals with KONTEX-contact
Maximum conductor size	4,0 qmm
Cable entry	top entry M20 bottom entry M25/20
Height	190mm
Width	90mm
Depth	122mm
Dimension of enclosure	170x90 mm (HxW)
Material of enclosure	Polycarbonate
Contacts	the contact carrier is made of high temperature resistant material, the contacts are brass nickel plated

Additional technical information	
	The cable entry is one at top open and two at bottom closed
	Lower part of housing rotatable by 180°

Logistics data	
Weight/pcs	0.0 kg / Piece
Packaging	Bag

Logistics data	
Content amount	1 ST
EAN	4024941112727
Length	122 mm
Width	90 mm
Height	190 mm
Weight	0.001 kg
Volume	2,086.2 ccm



Ampere	16	16	16				
Polzahl	3	4	5				
a	90,0	90,0	90,0				
b	170,0	170,0	170,0				
c	77,0	77,0	77,0				
d	137,5	137,5	137,5				
e	109,0	115,0	124,0				
f	188,0	189,0	190,0				
g	6,5	6,5	6,5				
h ø	5,5	5,5	5,5				
i	M20	M20	M20				
k	M20/25	M20/25	M20/25				
Leiter mm <sup>2</sup> min	1,5	1,5	1,5				
Leiter mm <sup>2</sup> max	4	4	4				