

Wall mounting socket outlet - housing dimensions 100x75



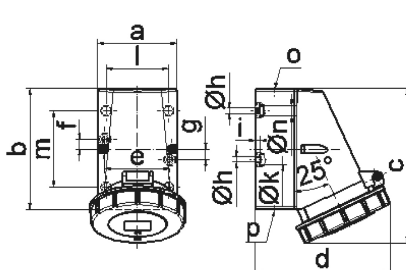
Product description	
BALS-Prd.-Nr	1143
EAN	4024941011433
product category (PG)	Wall mounting socket outlet
current (A)	16A
number of poles (P99)	5p
number of poles (P)	3p+N+PE
position of earth contact (H)	6 h
voltage (V)	200/346 up to 240/415V
frequency (HZ)	50 and 60Hz

Product description	
protection degree (SA)	IP67
colour code 1 (KF1)	red RAL 3000
Colour of appliance	Hinged lid red RAL 3000, Bayonet ring grey RAL 7035, Housing bottom grey RAL 7035, Housing top grey RAL 7035
connection design (AT)	with screw terminal
maximum conductor size (LQ)	4,0 qmm
cable entry (KE)	top entry M20
Height	134mm
Width	86mm
Depth	120mm
dimension of enclosure (GG)	100x75 mm (HxW)
material of enclosure (GM)	Polyamide
contact	The contact carrier is made of polyamide, The contacts are brass

Additional technical information	
	The cable entry is one at top open and one at bottom and one rear side closed
	Lower part of housing rotatable by 180°

Logistics data	
Weight/pcs	0.322 kg / Piece
Packaging	Bag

Logistics data	
Content amount	1 ST
EAN	4024941011433
Length	120 mm
Width	86 mm
Height	134 mm
Weight	0.323 kg
Volume	1,382.88 ccm
Packaging	Carton
Content amount	10 ST
EAN	4024941827331
Length	387 mm
Width	222 mm
Height	150 mm
Weight	3.413 kg
Volume	11,029.5 ccm



Ampere	16	16	16	32	32	32
Polzahl	3	4	5	3	4	5
a	64,0	75,0	75,0	83,0	83,0	83,0
b	87,0	100,0	100,0	126,0	126,0	126,0
c	115,0	130,0	130,0	160,0	160,0	160,0
d	103,0	110,0	115,0	129,0	129,0	135,0
e	51,0	59,0	59,0	68,0	68,0	68,0
f	20,0	11,0	11,0	11,0	11,0	11,0
g	20,0	-	-	-	-	-
h Ø	4,1	5,1	5,1	5,5	5,5	5,5
i	4,5	4,5	4,5	6,5	6,5	6,5
k Ø	8,0	10,0	10,0	12,0	12,0	12,0
l	-	-	-	65,0	65,0	65,0
m	-	-	-	80,0	80,0	80,0
n Ø	-	-	-	10,0	10,0	10,0
o	M20	M20	M20	M25	M25	M25
p	für M20	für M20	für M20	2 x M25	2 x M25	2 x M25
Leiter mm ² min	1,5	1,5	1,5	2,5	2,5	2,5
Leiter mm ² max	4	4	4	10	10	10

1 MB 13