

wall mounting socket outlet - housing dimensions 260x160



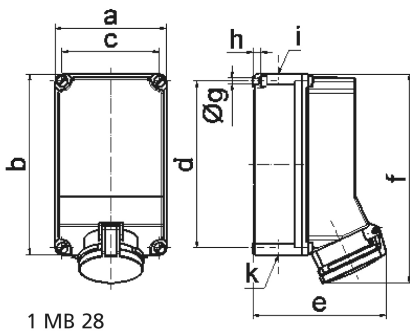
Product description	
BALS-Prd.-Nr	11467
EAN	4024941114677
Product category	Wall mounting socket outlet
Current	63A
Number of poles	5p
Arrangement of phases	3p+N+PE
Position of earth contact	6 h
Voltage	200/346 - 240/415V~

Product description	
Frequency	50/60Hz
Protection degree	IP44
Colour code	red RAL 3000
Colour of appliance	Hinged lid red RAL 3000, Housing bottom grey RAL 7035, Housing top grey RAL 7035, Housing screws grey RAL 7035
Connection design	screw terminal as box terminal with Kontex-contact
Maximum conductor size	25.0 qmm
Cable entry	top entry M40 bottom entry M40/M32
Height	302mm
Width	160mm
Depth	192mm
Dimension of enclosure	260x160 mm (HxW)
Material of enclosure	Polycarbonate
Contacts	the contacts are brass nickel plated, The contact carrier is made of high temperature resistant material

Additional technical information	
	The cable entry is one at top and two at bottom open

Logistics data	
Weight/pcs	1.62 kg / Piece
Packaging	Carton
Content amount	1 ST

Logistics data	
EAN	4024941114677
Length	325 mm
Width	217 mm
Height	210 mm
Weight	1.836 kg
Volume	13,588.4 ccm



Ampere Polzahl	63 3/4	63 5				
a	160,0	160,0				
b	260,0	260,0				
c	140,0	140,0				
d	240,0	240,0				
e	184,0	184,0				
f	302,0	302,0				
g ø	8,1	8,1				
h	10,0	10,0				
i	M40	M40				
k	M32/40	M32/40				
Leiter mm ² min	6	6				
Leiter mm ² max	25	25				