

# Wall mounting socket outlet - housing dimensions 460x180



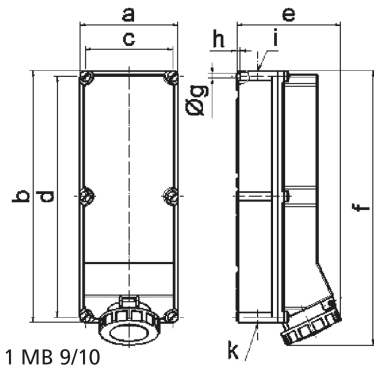
Product description	
BALS-Prd.-Nr	11475
EAN	4024941114752
Product category	Wall mounting socket outlet
Current	63A
Number of poles	5p
Arrangement of phases	3p+N+PE
Position of earth contact	6 h
Voltage	200/346 - 240/415V~

Product description	
Frequency	50/60Hz
Protection degree	IP67
Colour code	red RAL 3000
Colour of appliance	Hinged lid red RAL 3000, Bayonet ring grey RAL 7035, Housing screws grey RAL 7035, Housing bottom grey RAL 7035, Housing top grey RAL 7035
Connection design	screw terminal as box terminal with Kontex-contact
Maximum conductor size	25.0 qmm
Cable entry	top entry M40 bottom entry M40/M32
Height	502mm
Width	180mm
Depth	191mm
Dimension of enclosure	460x180 mm (HxW)
Material of enclosure	Polycarbonate
Contacts	the contact carrier is made of high temperature resistant material, the contacts are brass nickel plated

Additional technical information	
	The cable entry is one at top and two at bottom open

Logistics data	
Weight/pcs	2.635 kg / Piece
Packaging	Carton

Logistics data	
Content amount	1 ST
EAN	4024941114752
Length	560 mm
Width	215 mm
Height	260 mm
Weight	3.097 kg
Volume	26,400 ccm



Ampere	63	63	125	125		
Polzahl	4	5	4	5		
a	180,0	180,0	180,0	180,0		
b	460,0	460,0	460,0	460,0		
c	160,0	160,0	160,0	160,0		
d	440,0	440,0	440,0	440,0		
e	191,0	191,0	210,0	210,0		
f	500,0	500,0	512,0	512,0		
g ø	8,3	8,3	8,3	8,3		
h	6,5	6,5	6,5	6,5		
i	M40	M40	M40	M40		
k	M32/40	M32/40	M40/50	M40/50		