

## Wall mounting socket outlet - housing dimensions 126x83



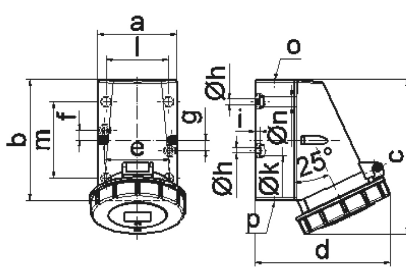
| Product description       |                             |
|---------------------------|-----------------------------|
| BALS-Prd.-Nr              | 1149                        |
| EAN                       | 4024941011495               |
| Product category          | Wall mounting socket outlet |
| Current                   | 32A                         |
| Number of poles           | 4p                          |
| Arrangement of phases     | 3P+PE                       |
| Position of earth contact | 6 h                         |
| Voltage                   | 380 - 415V~                 |
| Frequency                 | 50/60Hz                     |

| Product description    |  |
|------------------------|--|
| Protection degree      | IP67   |
| Colour code            | red RAL 3000   |
| Colour of appliance    | Hinged lid red RAL 3000, Bayonet ring grey RAL 7035, Housing bottom grey RAL 7035, Housing top grey RAL 7035 |
| Connection design      | with screw terminal  |
| Maximum conductor size | 10,0 qmm   |
| Cable entry            | 1xM25 top, 2xM25 bottom  |
| Height                 | 161mm  |
| Width                  | 94mm   |
| Depth                  | 139mm  |
| Dimension of enclosure | 126x83 mm (HxW)  |
| Material of enclosure  | Polyamide  |
| Contacts               | the contact carrier is made of polyamide, the contacts are brass   |

| Additional technical information |   |
|----------------------------------|---|
|                                  | The cable entry is one at top open and two at bottom closed |
|                                  | Lower part of housing rotatable by 180°                     |
|                                  | 4 cut out fixing holes in the lower part of housing         |

| Logistics data |                 |
|----------------|-----------------|
| Weight/pcs     | 0.44 kg / Piece |

| Logistics data |               |
|----------------|---------------|
| Packaging      | Bag           |
| Content amount | 1 ST          |
| EAN            | 4024941011495 |
| Length         | 139 mm        |
| Width          | 94 mm         |
| Height         | 161 mm        |
| Weight         | 0.441 kg      |
| Volume         | 2,103.626 ccm |
| Packaging      | Carton        |
| Content amount | 10 ST         |
| EAN            | 4024941827355 |
| Length         | 335 mm        |
| Width          | 283 mm        |
| Height         | 268 mm        |
| Weight         | 4.75 kg       |
| Volume         | 21,937.5 ccm  |



| Ampere                     | 16      | 16      | 16      | 32      | 32      | 32      |
|----------------------------|---------|---------|---------|---------|---------|---------|
| Polzahl                    | 3       | 4       | 5       | 3       | 4       | 5       |
| a                          | 64,0    | 75,0    | 75,0    | 83,0    | 83,0    | 83,0    |
| b                          | 87,0    | 100,0   | 100,0   | 126,0   | 126,0   | 126,0   |
| c                          | 115,0   | 130,0   | 130,0   | 160,0   | 160,0   | 160,0   |
| d                          | 103,0   | 110,0   | 115,0   | 129,0   | 129,0   | 135,0   |
| e                          | 51,0    | 59,0    | 59,0    | 68,0    | 68,0    | 68,0    |
| f                          | 20,0    | 11,0    | 11,0    | 11,0    | 11,0    | 11,0    |
| g                          | 20,0    | -       | -       | -       | -       | -       |
| h                          | 4,1     | 5,1     | 5,1     | 5,5     | 5,5     | 5,5     |
| i                          | 4,5     | 4,5     | 4,5     | 6,5     | 6,5     | 6,5     |
| k                          | 8,0     | 10,0    | 10,0    | 12,0    | 12,0    | 12,0    |
| l                          | -       | -       | -       | 65,0    | 65,0    | 65,0    |
| m                          | -       | -       | -       | 80,0    | 80,0    | 80,0    |
| n                          | -       | -       | -       | 10,0    | 10,0    | 10,0    |
| o                          | M20     | M20     | M20     | M25     | M25     | M25     |
| p                          | für M20 | für M20 | für M20 | 2 x M25 | 2 x M25 | 2 x M25 |
| Leiter mm <sup>2</sup> min | 1,5     | 1,5     | 1,5     | 2,5     | 2,5     | 2,5     |
| Leiter mm <sup>2</sup> max | 4       | 4       | 4       | 10      | 10      | 10      |

1 MB 13