

wall mounting socket outlet - housing dimensions 170x90

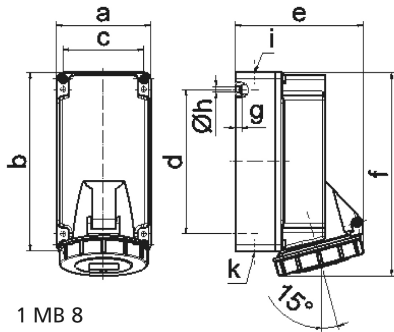


Product description	
BALS-Prd.-Nr	11492
EAN	4024941114929
Product category	TE wall mounting socket outlet Quick-Connect
Current	16A
Number of poles	3p
Arrangement of phases	2P+PE
Position of earth contact	6 h
Voltage	200 - 250V~
Frequency	50/60Hz

Product description	
Protection degree	IP67
Colour code	blue RAL 5015
Colour of appliance	Hinged lid blue RAL 5015, Housing bottom grey RAL 7035, Bayonet ring grey RAL 7035, Housing top grey RAL 7035
Connection design	screwless spring terminals with Kontex-Kontakt
Maximum conductor size	4,0 qmm
Cable entry	top entry M20 bottom entry M25/20
Height	195mm
Width	90mm
Depth	109mm
Dimension of enclosure	170x90 mm (HxW)
Material of enclosure	Polycarbonate
Contacts	The contact carrier is made of high temperature resistant material, the contacts are brass nickel plated

Logistics data	
Weight/pcs	0.4 kg / Piece
Packaging	Carton
Content amount	1 ST
EAN	4024941114929
Length	205 mm
Width	102 mm

Logistics data	
Height	134 mm
Weight	0.46 kg
Volume	2,118.48 ccm



1 MB 8

Ampere	16	16	16			
Polzahl	3	4	5			
a	90,0	90,0	90,0			
b	170,0	170,0	170,0			
c	77,0	77,0	77,0			
d	137,5	137,5	137,5			
e	108,0	115,0	122,0			
f	191,5	191,5	195,0			
g	6,5	6,5	6,5			
h ø	5,5	5,5	5,5			
i	M20	M20	M20			
k	M20/25	M20/25	M20/25			
Leiter mm ² min	1,5	1,5	1,5			
Leiter mm ² max	4	4	4			