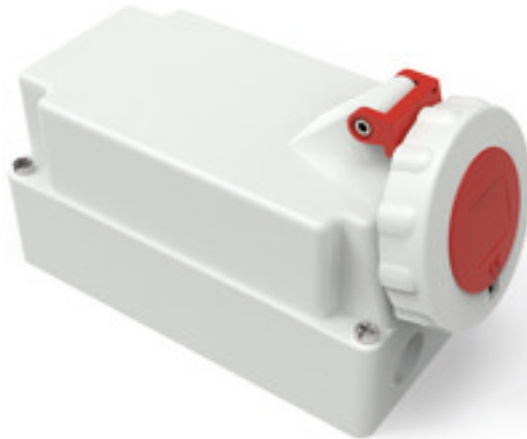


# Wall mounting socket outlet - housing dimensions 170x90



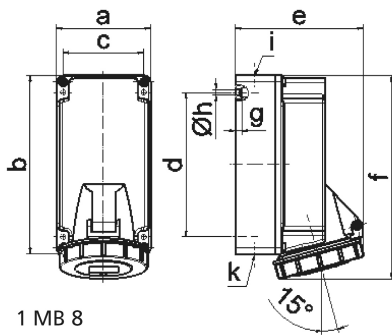
| Product description       |  |
|---------------------------|--|
| BALS-Prd.-Nr              | 11493  |
| EAN                       | 4024941114936                                |
| Product category          | TE wall mounting socket outlet QUICK-CONNECT |
| Current                   | 16A  |
| Number of poles           | 4p   |
| Arrangement of phases     | 3P+PE  |
| Position of earth contact | 6 h  |
| Voltage                   | 380 - 415V~                                  |
| Frequency                 | 50/60Hz                                      |

| Product description    |  |
|------------------------|--|
| Protection degree      | IP67   |
| Colour code            | red RAL 3000   |
| Colour of appliance    | Hinged lid red RAL 3000, Bayonet ring grey RAL 7035, Housing bottom grey RAL 7035, Housing top grey RAL 7035 |
| Connection design      | screwless spring terminals with KONTEX-contact   |
| Maximum conductor size | 4,0 qmm  |
| Cable entry            | top entry M20 bottom entry M25/20  |
| Height                 | 192mm  |
| Width                  | 90mm   |
| Depth                  | 115mm  |
| Dimension of enclosure | 170x90 mm (HxW)  |
| Material of enclosure  | Polycarbonate  |
| Contacts               | the contact carrier is made of high temperature resistant material, the contacts are brass nickel plated     |

| Additional technical information |   |
|----------------------------------|---|
|                                  | The cable entry is one at top open and two at bottom closed |
|                                  | Lower part of housing rotatable by 180°                     |

| Logistics data |                 |
|----------------|-----------------|
| Weight/pcs     | 0.42 kg / Piece |
| Packaging      | Carton          |

| Logistics data |               |
|----------------|---------------|
| Content amount | 1 ST          |
| EAN            | 4024941114936 |
| Length         | 205 mm        |
| Width          | 102 mm        |
| Height         | 134 mm        |
| Weight         | 0.48 kg       |
| Volume         | 2,118.48 ccm  |



| Ampere                     | 16     | 16     | 16     |  |  |  |
|----------------------------|--------|--------|--------|--|--|--|
| Polzahl                    | 3      | 4      | 5      |  |  |  |
| a                          | 90,0   | 90,0   | 90,0   |  |  |  |
| b                          | 170,0  | 170,0  | 170,0  |  |  |  |
| c                          | 77,0   | 77,0   | 77,0   |  |  |  |
| d                          | 137,5  | 137,5  | 137,5  |  |  |  |
| e                          | 108,0  | 115,0  | 122,0  |  |  |  |
| f                          | 191,5  | 191,5  | 195,0  |  |  |  |
| g                          | 6,5    | 6,5    | 6,5    |  |  |  |
| h ø                        | 5,5    | 5,5    | 5,5    |  |  |  |
| i                          | M20    | M20    | M20    |  |  |  |
| k                          | M20/25 | M20/25 | M20/25 |  |  |  |
| Leiter mm <sup>2</sup> min | 1,5    | 1,5    | 1,5    |  |  |  |
| Leiter mm <sup>2</sup> max | 4      | 4      | 4      |  |  |  |

