

Wall mounting socket outlet - 7 poles housing dimensions 170x90



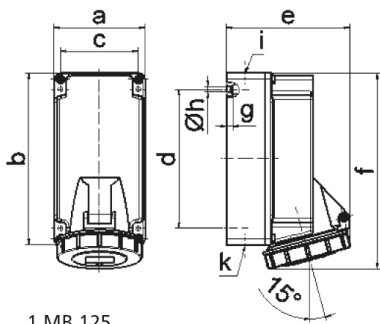
| Product description | |
|---------------------------|--------------------------------|
| BALS-Prd.-Nr | 11542 |
| EAN | 4024941115421 |
| Product category | TE wall mounting socket outlet |
| Current | 16A |
| Number of poles | 7p |
| Arrangement of phases | 6p+PE |
| Position of earth contact | 6 h |
| Voltage | 400V~ |

| Product description | |
|------------------------|--|
| Frequency | 50/60Hz |
| Protection degree | IP67 |
| Colour code | red RAL 3000 |
| Colour of appliance | Hinged lid red RAL 3000, Bayonet ring grey RAL 7035, Housing bottom grey RAL 7035, Housing top grey RAL 7035 |
| Connection design | with screw terminal |
| Maximum conductor size | 4,0 qmm |
| Cable entry | top entry M20 bottom entry M25/20 |
| Height | 195mm |
| Width | 90mm |
| Depth | 123mm |
| Dimension of enclosure | 170x90 mm (HxW) |
| Material of enclosure | Polycarbonate |
| Contacts | the contact carrier is made of high temperature resistant material, the contacts are brass nickel plated |

| Additional technical information | |
|----------------------------------|---|
| | The cable entry is one at top open and two at bottom closed |
| | Lower part of housing rotatable by 180° |

| Logistics data | |
|----------------|------------------|
| Weight/pcs | 0.495 kg / Piece |

| Logistics data | |
|----------------|---------------|
| Packaging | Carton |
| Content amount | 1 ST |
| EAN | 4024941115421 |
| Length | 124 mm |
| Width | 91 mm |
| Height | 196 mm |
| Weight | 0.555 kg |
| Volume | 2,211.664 ccm |



| | | | | | | | | | |
|----------------------------|--------|--|--|--|--|--|--|--|--|
| Ampere | 16 | | | | | | | | |
| Polzahl | 7 | | | | | | | | |
| a | 90,0 | | | | | | | | |
| b | 170,0 | | | | | | | | |
| c | 77,0 | | | | | | | | |
| d | 137,5 | | | | | | | | |
| e | 122,0 | | | | | | | | |
| f | 195,0 | | | | | | | | |
| g | 6,5 | | | | | | | | |
| h ø | 5,5 | | | | | | | | |
| i | M20 | | | | | | | | |
| k | M20/25 | | | | | | | | |
| Leiter mm ² min | 1,5 | | | | | | | | |
| Leiter mm ² max | 4 | | | | | | | | |