

wall mounting socket outlet - 7 poles, housing dimensions 225x118



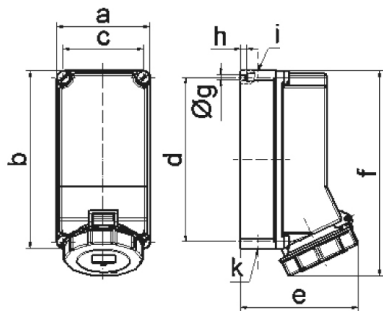
Product description	
BALS-Prd.-Nr	11635
EAN	4024941116350
Product category	Wall mounting socket outlet
Current	32A
Number of poles	7p
Arrangement of phases	6p+PE
Position of earth contact	9 h
Voltage	230V~

Product description	
Frequency	50/60Hz
Protection degree	IP67
Colour code	blue RAL 5015
Colour of appliance	Hinged lid blue RAL 5015, Housing bottom grey RAL 7035, Housing top grey RAL 7035, Housing screws grey RAL 7035, Bayonet ring grey RAL 7035
Connection design	with screw terminal
Maximum conductor size	10,0 qmm
Cable entry	top entry M25/M25 bottom entry M25
Height	260mm
Width	118mm
Depth	150mm
Dimension of enclosure	225x118 mm (HxW)
Material of enclosure	Polycarbonate
Contacts	The contact carrier is made of high temperature resistant material, The contacts are brass

Additional technical information	
	The cable entry is one at top open, one at top is closed, and two at bottom are closed

Logistics data	
Weight/pcs	0.0 kg / Piece
Packaging	Carton

Logistics data	
Content amount	1 ST
EAN	4024941116350
Length	275 mm
Width	175 mm
Height	137 mm
Weight	0.125 kg
Volume	5,737.5 ccm



1 MB 126

Ampere	32						
Polzahl	7						
a	118,0						
b	225,0						
c	101,0						
d	208,0						
e	149,0						
f	255,0						
g Ø	6,5						
h	8,0						
i	2 x M25						
k	2 x M25						
Leiter mm ² min	2,5						
Leiter mm ² max	10						