

Wall mounting socket outlet - housing dimensions 170x118 with electrical interlocking PSK



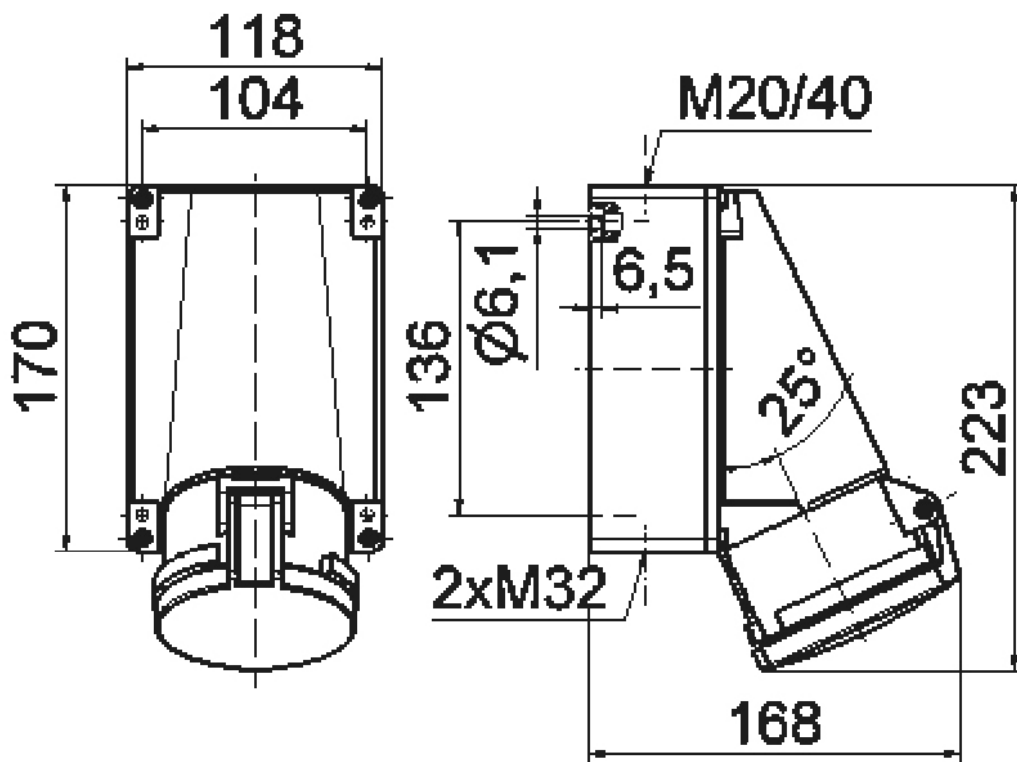
Product description	
BALS-Prd.-Nr	11786
EAN	4024941117869
Product category	Wall mounting socket outlet
Current	63A
Number of poles	4p
Arrangement of phases	3P+PE
Position of earth contact	7 h
Voltage	480 - 500V~

Product description	
Frequency	50/60Hz
Protection degree	IP44
Colour code	black RAL 9005
Colour of appliance	Hinged lid black RAL 9005, Housing bottom grey RAL 7035, Housing top grey RAL 7035
Connection design	screw terminal as box terminal with Kontex-contact
Maximum conductor size	25.0 qmm
Cable entry	top entry M40/M20 bottom entry M32
Height	226mm
Width	118mm
Depth	173mm
Dimension of enclosure	170x118 mm (HxW)
Material of enclosure	Polycarbonate
Contacts	the contact carrier is made of high temperature resistant material, the contacts are brass nickel plated

Additional technical information	
	The cable entry is two at top open and two at bottom closed, Electrically interlocked with pilot contact for potential-free switching of incorporated auxiliary fitted in pilot drill of the socket.
	Lower part of housing rotatable by 180°

Logistics data	
Weight/pcs	0.86 kg / Piece

Logistics data	
Packaging	Bag
Content amount	1 ST
EAN	4024941117869
Length	173 mm
Width	118 mm
Height	226 mm
Weight	0.861 kg
Volume	4,613.564 ccm



1 MB 36