

## wall mounting socket outlet, chemically resistant - housing dimensions 260x160



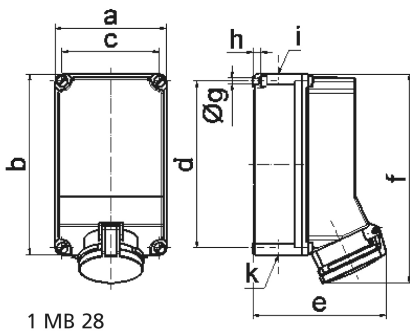
Product description	
BALS-Prd.-Nr	11800
EAN	4024941118002
Product category	TE wall mounting socket outlet
Current	63A
Number of poles	3p
Arrangement of phases	2P+PE
Position of earth contact	6 h
Voltage	200 - 250V~

Product description	
Frequency	50/60Hz
Protection degree	IP44
Colour code	blue RAL 5015
Colour of appliance	Hinged lid blue RAL 5015, Housing bottom lightbeige, Housing top lightbeige, Housing screws lightbeige
Connection design	screw terminal as box terminal with Kontex-contact
Maximum conductor size	25.0 qmm
Cable entry	top entry M40 bottom entry M40/M32
Height	302mm
Width	160mm
Depth	192mm
Dimension of enclosure	260x160 mm (HxW)
Material of enclosure	Polycarbonate+Polyester light - beige
Contacts	The contact carrier is made of high temperature resistant material, the contacts are brass nickel plated

Additional technical information	
	The cable entry is one at top and two at bottom open

Logistics data	
Weight/pcs	1.56 kg / Piece
Packaging	Bag
Content amount	1 ST

Logistics data	
EAN	4024941118002
Length	192 mm
Width	160 mm
Height	302 mm
Weight	1.561 kg
Volume	9,277.44 ccm



Ampere Polzahl	63 3/4	63 5				
a	160,0	160,0				
b	260,0	260,0				
c	140,0	140,0				
d	240,0	240,0				
e	184,0	184,0				
f	302,0	302,0				
g Ø	8,1	8,1				
h	10,0	10,0				
i	M40	M40				
k	M32/40	M32/40				
Leiter mm <sup>2</sup> min	6	6				
Leiter mm <sup>2</sup> max	25	25				