

Wall mounting socket outlet - chemically resistant - housing dimensions 260x160



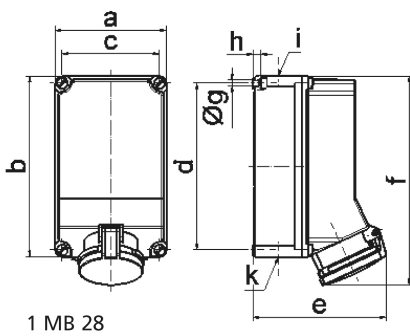
| Product description | |
|---------------------------|--------------------------------|
| BALS-Prd.-Nr | 11801 |
| EAN | 4024941118019 |
| Product category | TE wall mounting socket outlet |
| Current | 63A |
| Number of poles | 4p |
| Arrangement of phases | 3P+PE |
| Position of earth contact | 6 h |
| Voltage | 380 - 415V~ |

| Product description | |
|------------------------|--|
| Frequency | 50/60Hz |
| Protection degree | IP44 |
| Colour code | red RAL 3000 |
| Colour of appliance | Housing top lightbeige, Hinged lid red RAL 3000, Housing bottom lightbeige, Housing screws lightbeige |
| Connection design | screw terminal as box terminal with Kontex-contact |
| Maximum conductor size | 25.0 qmm |
| Cable entry | top entry M40 bottom entry M40/M32 |
| Height | 302mm |
| Width | 160mm |
| Depth | 192mm |
| Dimension of enclosure | 260x160 mm (HxW) |
| Material of enclosure | Polycarbonate+Polyester light - beige |
| Contacts | the contact carrier is made of high temperature resistant material, the contacts are brass nickel plated |

| Additional technical information | |
|----------------------------------|--|
| | The cable entry is one at top and two at bottom open |

| Logistics data | |
|----------------|-----------------|
| Weight/pcs | 1.61 kg / Piece |
| Packaging | Carton |
| Content amount | 1 ST |

| Logistics data | |
|----------------|---------------|
| EAN | 4024941118019 |
| Length | 325 mm |
| Width | 217 mm |
| Height | 210 mm |
| Weight | 1.826 kg |
| Volume | 13,588.4 ccm |



| Ampere Polzahl | 63 3/4 | 63 5 | | | | |
|----------------------------|-----------|---------|--|--|--|--|
| a | 160,0 | 160,0 | | | | |
| b | 260,0 | 260,0 | | | | |
| c | 140,0 | 140,0 | | | | |
| d | 240,0 | 240,0 | | | | |
| e | 184,0 | 184,0 | | | | |
| f | 302,0 | 302,0 | | | | |
| g Ø | 8,1 | 8,1 | | | | |
| h | 10,0 | 10,0 | | | | |
| i | M40 | M40 | | | | |
| k | M32/40 | M32/40 | | | | |
| Leiter mm ² min | 6 | 6 | | | | |
| Leiter mm ² max | 25 | 25 | | | | |