

Wall mounting socket outlet - chemically resistant - housing dimensions 460x180



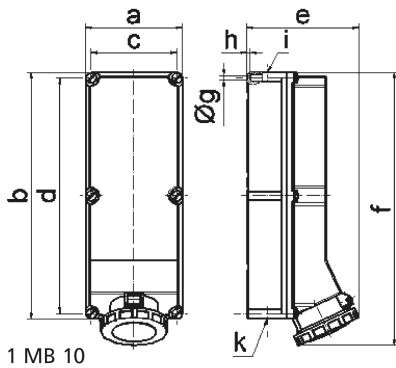
| Product description | |
|---------------------------|--------------------------------|
| BALS-Prd.-Nr | 11814 |
| EAN | 4024941118149 |
| Product category | TE wall mounting socket outlet |
| Current | 125A |
| Number of poles | 4p |
| Arrangement of phases | 3P+PE |
| Position of earth contact | 7 h |
| Voltage | 480 - 500V~ |

| Product description | |
|------------------------|--|
| Frequency | 50/60Hz |
| Protection degree | IP67 |
| Colour code | black RAL 9005 |
| Colour of appliance | Bayonet ring lightbeige, Hinged lid black RAL 9005, Housing top lightbeige, Housing bottom lightbeige, Housing screws lightbeige |
| Connection design | screw terminal as box terminal with Kontex-contact |
| Maximum conductor size | 70.0 qmm (possible limitation by the used cable entry) |
| Cable entry | top entry M40 bottom entry M50/M40 |
| Height | 512mm |
| Width | 180mm |
| Depth | 210mm |
| Dimension of enclosure | 460x180 mm (HxW) |
| Material of enclosure | Polycarbonate+Polyester light - beige |
| Contacts | the contact carrier is made of high temperature resistant material, the contacts are brass nickel plated |

| Additional technical information | |
|----------------------------------|--|
| | The cable entry is one at top and two at bottom open |

| Logistics data | |
|----------------|----------------|
| Weight/pcs | 3.1 kg / Piece |
| Packaging | Bag |

| Logistics data | |
|----------------|---------------|
| Content amount | 1 ST |
| EAN | 4024941118149 |
| Length | 210 mm |
| Width | 180 mm |
| Height | 512 mm |
| Weight | 3.101 kg |
| Volume | 19,353.6 ccm |



| Ampere | 125 | 125 | 125 | | | |
|----------------------------|--------|--------|--------|--|--|--|
| Polzahl | 3 | 4 | 5 | | | |
| a | 180,0 | 180,0 | 180,0 | | | |
| b | 460,0 | 460,0 | 460,0 | | | |
| c | 160,0 | 160,0 | 160,0 | | | |
| d | 440,0 | 440,0 | 440,0 | | | |
| e | 208,0 | 208,0 | 208,0 | | | |
| f | 510,0 | 510,0 | 510,0 | | | |
| g ø | 8,3 | 8,3 | 8,3 | | | |
| h | 6,5 | 6,5 | 6,5 | | | |
| i | M40 | M40 | M40 | | | |
| k | M40/50 | M40/50 | M40/50 | | | |
| Leiter mm ² min | 25 | 25 | 25 | | | |
| Leiter mm ² max | 70 | 70 | 70 | | | |