

Wall mounting socket outlet - housing dimensions 225x118

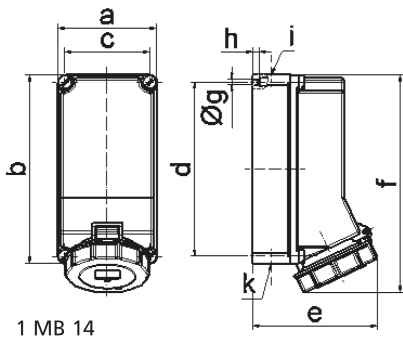


Product description	
BALS-Prd.-Nr	11879
EAN	4024941118798
Product category	TE wall mounting socket outlet QUICK-CONNECT
Current	32A
Number of poles	3p
Arrangement of phases	2P+PE
Position of earth contact	9 h
Voltage	380 - 415V~

Product description	
Frequency	50/60Hz
Protection degree	IP67
Colour code	red RAL 3000
Colour of appliance	Hinged lid red RAL 3000, Bayonet ring grey RAL 7035, Housing screws grey RAL 7035, Housing bottom grey RAL 7035, Housing top grey RAL 7035
Connection design	screwless spring terminals with KONTEX-contact
Maximum conductor size	10,0 qmm
Cable entry	top entry M25/M25 bottom entry M25
Height	260mm
Width	118mm
Depth	144mm
Dimension of enclosure	225x118 mm (HxW)
Material of enclosure	Polycarbonate
Contacts	the contact carrier is made of high temperature resistant material, the contacts are brass nickel plated

Logistics data	
Weight/pcs	0.735 kg / Piece
Packaging	Bag
Content amount	1 ST
EAN	4024941118798
Length	144 mm

Logistics data	
Width	118 mm
Height	260 mm
Weight	0.736 kg
Volume	4,417.92 ccm



Ampere Polzahl	32 3	32 4	32 5			
a	118,0	118,0	118,0			
b	225,0	225,0	225,0			
c	101,0	101,0	101,0			
d	208,0	208,0	208,0			
e	143,0	143,0	149,0			
f	255,0	255,0	255,0			
g ø	6,5	6,5	6,5			
h	8,0	8,0	8,0			
i	2xM25	2xM25	2xM25			
k	2xM25	2xM25	2xM25			
Leiter mm ² min	2,5	2,5	2,5			
Leiter mm ² max	10	10	10			