

## Wall mounting socket outlet - chemically resistant - housing dimensions 225x118



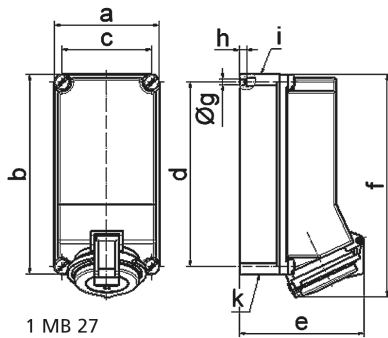
Product description	
BALS-Prd.-Nr	11998
EAN	4024941119986
Product category	TE wall mounting socket outlet QUICK-CONNECT
Current	32A
Number of poles	4p
Arrangement of phases	3P+PE
Position of earth contact	9 h
Voltage	200 - 250V~

Product description	
Frequency	50/60Hz
Protection degree	IP44
Colour code	blue RAL 5015
Colour of appliance	Housing top lightbeige, Housing bottom lightbeige, Hinged lid blue RAL 5015, Housing screws lightbeige
Connection design	screwless spring terminals with KONTEX-contact
Maximum conductor size	10,0 qmm
Cable entry	top entry M25/M25 bottom entry M25
Height	251mm
Width	118mm
Depth	135mm
Dimension of enclosure	225x118 mm (HxW)
Material of enclosure	Polycarbonate+Polyester light - beige
Contacts	the contact carrier is made of high temperature resistant material, the contacts are brass nickel plated

Additional technical information	
	The cable entry is one at top open, one at top is closed, and two at bottom are closed

Logistics data	
Weight/pcs	0.0 kg / Piece
Packaging	Carton

Logistics data	
Content amount	1 ST
EAN	4024941119986
Length	275 mm
Width	175 mm
Height	137 mm
Weight	0.125 kg
Volume	5,737.5 ccm



Ampere	16	32	32	32			
Polzahl	5	3	4	5			
a	118,0	118,0	118,0	118,0			
b	225,0	225,0	225,0	225,0			
c	101,0	101,0	101,0	101,0			
d	208,0	208,0	208,0	208,0			
e	130,0	125,0	125,0	141,0			
f	242,0	250,0	250,0	250,0			
g ø	6,5	6,5	6,5	6,5			
h	8,0	8,0	8,0	8,0			
i	2 x M25	2 x M25	2 x M25	2 x M25			
k	2 x M25	2 x M25	2 x M25	2 x M25			
Leiter mm <sup>2</sup> min	1,5	2,5	2,5	2,5			
Leiter mm <sup>2</sup> max	4	10	10	10			