

Panel mounting socket outlet angled TN - flange 85x85 fixing centers 70x70



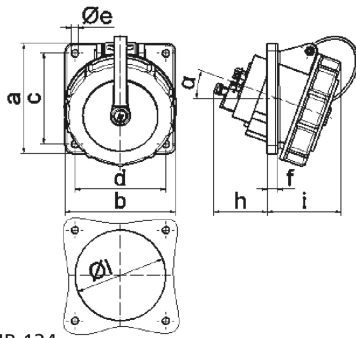
Product description	
BALS-Prd.-Nr	120027
EAN	4024941108034
Product category	TN panel mounting socket outlet QUICK-CONNECT, angled
Current	16A
Number of poles	4p
Arrangement of phases	3P+PE
Position of earth contact	2 h
Voltage	> 50V~

Product description	
Frequency	> 300 - 500Hz
VG-type-no.:	VG 96919 BS 022
Protection degree	IP67
Colour code	bronze-green RAL 6031-F9
Colour of appliance	Bayonet ring bronze-green RAL 6031-F9, Hinged lid bronze-green RAL 6031-F9, Enclosure bronze-green RAL 6031-F9, Enclosure grey RAL 7035
Connection design	screwless spring terminals with KONTEX-contact
Maximum conductor size	4,0 qmm
Cable entry	other
Height	90mm
Width	85mm
Depth	99mm
Flange size vertical in mm	85mm
Flange size horizontal in mm	85mm
Drill hole dist. vertical mm	70mm
Drill hole dist. horizontal mm	70mm
Material of enclosure	Polyamide
Contacts	the contact carrier is made of high temperature resistant material, the contacts are brass nickel plated

Additional technical information	
	The inclination is 20°

Additional technical information	
	With bayonet cover on strap

Logistics data	
Weight/pcs	0.0 kg / Piece
Packaging	Bag
Content amount	1 ST
EAN	4024941108034
Length	99 mm
Width	85 mm
Height	90 mm
Weight	0.001 kg
Volume	757.35 ccm
Packaging	Carton
Content amount	10 ST
EAN	4024941838658
Length	258 mm
Width	183 mm
Height	212 mm
Weight	0.152 kg
Volume	8,750 ccm



4 MB 124

Ampere	16	16	16	32	32	32
Polzahl	3	4	5	3	4	5
a	85,0	85,0	85,0	85,0	85,0	85,0
b	85,0	85,0	85,0	85,0	85,0	85,0
c	70,0	70,0	70,0	70,0	70,0	70,0
d	70,0	70,0	70,0	70,0	70,0	70,0
e ø	5,5	5,5	5,5	5,5	5,5	5,5
f	8,0	8,0	8,0	8,0	8,0	8,0
h	46,0	46,0	46,0	50,0	50,0	50,0
i	57,0	57,0	60,0	67,0	67,0	69,0
l ø	57,0	65,0	70,0	78,0	78,0	78,0
α	20°	20°	20°	20°	20°	20°
Leiter mm ² min	1,5	1,5	1,5	2,5	2,5	2,5
Leiter mm ² max	4,0	4,0	4,0	10,0	10,0	10,0