

# Panel mounting socket outlet angled TN - flange 114x114 fixing centers 90x90



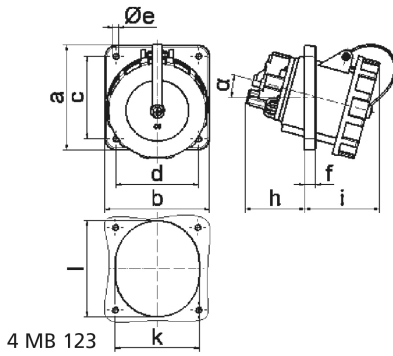
Product description	
BALS-Prd.-Nr	120041
EAN	4024941108133
Product category	TN panel mounting socket outlet, angled
Current	125A
Number of poles	4p
Arrangement of phases	3P+PE
Position of earth contact	9 h
Voltage	200 - 250V~

Product description	
Frequency	50/60Hz
VG-type-no.:	VG 96919 BS 035
Protection degree	IP67
Colour code	bronze-green RAL 6031-F9
Colour of appliance	Bayonet ring bronze-green RAL 6031-F9, Hinged lid bronze-green RAL 6031-F9, Enclosure bronze-green RAL 6031-F9
Connection design	screw terminal as box terminal with Kontex-contact
Maximum conductor size	70.0 qmm (possible limitation by the used cable entry)
Cable entry	other
Height	134mm
Width	125mm
Depth	173mm
Flange size vertical in mm	114mm
Flange size horizontal in mm	114mm
Drill hole dist. vertical mm	90mm
Drill hole dist. horizontal mm	90mm
Material of enclosure	Polyamide
Contacts	the contact carrier is made of high temperature resistant material, the contacts are brass nickel plated

Additional technical information	
	with pilot contact, The inclination is 15°

Additional technical information	
	With bayonet cover on strap

Logistics data	
Weight/pcs	0.965 kg / Piece
Packaging	Bag
Content amount	1 ST
EAN	4024941108133
Length	173 mm
Width	125 mm
Height	134 mm
Weight	0.966 kg
Volume	2,897.75 ccm
Packaging	Carton
Content amount	5 ST
EAN	4024941838740
Length	325 mm
Width	217 mm
Height	210 mm
Weight	5.031 kg
Volume	13,588.4 ccm



Ampere	63	63	63	125	125	125
Polzahl	3	4	5	3	4	5
a	114,0	114,0	114,0	114,0	114,0	114,0
b	114,0	114,0	114,0	114,0	114,0	114,0
c	90,0	90,0	90,0	90,0	90,0	90,0
d	90,0	90,0	90,0	90,0	90,0	90,0
e ø	5,5	5,5	5,5	6,5	6,5	6,5
f	12,0	12,0	12,0	12,0	12,0	12,0
h	65,0	65,0	65,0	82,0	82,0	82,0
i	82,0	82,0	82,0	90,0	90,0	90,0
k	92,0	92,0	92,0	92,0	92,0	92,0
l	92,0	92,0	92,0	105,0	105,0	105,0
α	15°	15°	15°	15°	15°	15°
Leiter mm <sup>2</sup> min	6,0	6,0	6,0	25,0	25,0	25,0
Leiter mm <sup>2</sup> max	25,0	25,0	25,0	70,0	70,0	70,0