

panel mounting socket outlet, angled - flange 100x92,
fixing centers 85x77

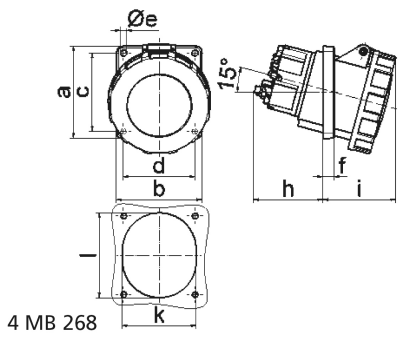


Product description	
BALS-Prd.-Nr	120320
EAN	4024941197144
Product category	TE panel mounting socket outlet Quick-Connect, angled
Current	63A
Number of poles	4p
Arrangement of phases	3P+PE
Position of earth contact	6 h
Voltage	380 - 415V~

Product description	
Frequency	50/60Hz
Protection degree	IP67
Colour code	red RAL 3000
Colour of appliance	Hinged lid red RAL 3000, Enclosure grey RAL 7035, Bayonet ring grey RAL 7035
Connection design	screwless spring terminal with box terminals and kontext-contact
Maximum conductor size	25.0 qmm
Cable entry	other
Height	120mm
Width	111mm
Depth	168mm
Flange size vertical in mm	100mm
Flange size horizontal in mm	92mm
Drill hole dist. vertical mm	85mm
Drill hole dist. horizontal mm	77mm
Material of enclosure	Polyamide
Contacts	The contact carrier is made of high temperature resistant material, the contacts are brass nickel plated

Additional technical information	
	The inclination is 15°

Logistics data	
Weight/pcs	0.63 kg / Piece
Packaging	Bag
Content amount	1 ST
EAN	4024941197144
Length	168 mm
Width	111 mm
Height	120 mm
Weight	0.631 kg
Volume	2,237.76 ccm
Packaging	Carton
Content amount	10 ST
EAN	4024941958721
Length	295 mm
Width	185 mm
Height	215 mm
Weight	6.464 kg
Volume	9,975 ccm



Ampere	63	63				
Polzahl	4	5				
a	100,0	100,0				
b	92,0	92,0				
c	85,0	85,0				
d	77,0	77,0				
e ø	6,5	6,5				
f	12,0	12,0				
h	74,0	74,0				
i	80,0	80,0				
k	80,0	80,0				
l	92,0	92,0				
Leiter mm ² min	6	6				
Leiter mm ² max	25	25				