

panel mounting socket outlet, angled - flange 114x114,  
fixing centers 90x90

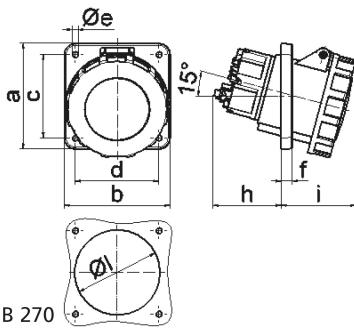


Product description	
BALS-Prd.-Nr	120322
EAN	4024941197151
Product category	TE panel mounting socket outlet Quick-Connect, angled
Current	63A
Number of poles	4p
Arrangement of phases	3P+PE
Position of earth contact	6 h
Voltage	380 - 415V~

Product description	
Frequency	50/60Hz
Protection degree	IP67
Colour code	red RAL 3000
Colour of appliance	Hinged lid red RAL 3000, Bayonet ring grey RAL 7035, Enclosure grey RAL 7035
Connection design	screwless spring terminal with box terminals and kontext-contact
Maximum conductor size	25.0 qmm
Cable entry	other
Height	114mm
Width	114mm
Depth	158mm
Flange size vertical in mm	114mm
Flange size horizontal in mm	114mm
Drill hole dist. vertical mm	90mm
Drill hole dist. horizontal mm	90mm
Material of enclosure	Polyamide
Contacts	The contact carrier is made of high temperature resistant material, the contacts are brass nickel plated

Additional technical information	
	The inclination is 15°

Logistics data	
Weight/pcs	0.625 kg / Piece
Packaging	Bag
Content amount	1 ST
EAN	4024941197151
Length	158 mm
Width	114 mm
Height	114 mm
Weight	0.626 kg
Volume	2,053.368 ccm
Packaging	Carton
Content amount	5 ST
EAN	4024941830874
Length	295 mm
Width	185 mm
Height	215 mm
Weight	3.289 kg
Volume	9,975 ccm



4 MB 270

Ampere	63	63				
Polzahl	4	5				
a	114,0	114,0				
b	114,0	114,0				
c	90,0	90,0				
d	90,0	90,0				
e ø	6,5	6,5				
f	12,0	12,0				
h	74,0	74,0				
i	80,0	80,0				
l ø	92,0	92,0				
Leiter mm <sup>2</sup> min	6	6				
Leiter mm <sup>2</sup> max	25	25				