

Panel mounting socket outlet angled - flange 85x85 fixing centers 70x70

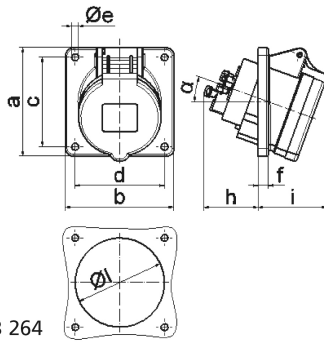


Product description	
BALS-Prd.-Nr	120336
EAN	4024941149051
Product category	TE panel mounting socket outlet QUICK-CONNECT, angled
Current	32A
Number of poles	4p
Arrangement of phases	3P+PE
Position of earth contact	5 h
Voltage	600 - 690V~

Product description	
Frequency	50/60Hz
Protection degree	IP44
Colour code	black RAL 9005
Colour of appliance	Hinged lid black RAL 9005, Enclosure grey RAL 7035
Connection design	screwless spring terminals with KONTEX-contact
Maximum conductor size	10,0 qmm
Cable entry	other
Height	94mm
Width	85mm
Depth	117mm
Flange size vertical in mm	85mm
Flange size horizontal in mm	85mm
Drill hole dist. vertical mm	70mm
Drill hole dist. horizontal mm	70mm
Material of enclosure	Polyamide
Contacts	the contact carrier is made of high temperature resistant material, the contacts are brass nickel plated

Additional technical information	
	The inclination is 20°

Logistics data	
Weight/pcs	0.2 kg / Piece
Packaging	Bag
Content amount	1 ST
EAN	4024941149051
Length	117 mm
Width	85 mm
Height	94 mm
Weight	0.201 kg
Volume	934.83 ccm
Packaging	Carton
Content amount	10 ST
EAN	4024941837934
Length	258 mm
Width	183 mm
Height	212 mm
Weight	2.152 kg
Volume	8,750 ccm



4 MB 264

Ampere	16	16	16	32	32	32
Polzahl	3	4	5	3	4	5
a	85,0	85,0	85,0	85,0	85,0	85,0
b	85,0	85,0	85,0	85,0	85,0	85,0
c	70,0	70,0	70,0	70,0	70,0	70,0
d	70,0	70,0	70,0	70,0	70,0	70,0
e ø	5,5	5,5	5,5	5,5	5,5	5,5
f	8,0	8,0	8,0	8,0	8,0	8,0
h	46,0	46,0	46,0	55,0	55,0	55,0
i	50,0	51,0	54,0	60,0	60,0	60,0
l ø	57,0	65,0	70,0	78,0	78,0	78,0
α	20°	20°	20°	20°	20°	20°
Leiter mm ² min	1,5	1,5	1,5	2,5	2,5	2,5
Leiter mm ² max	4	4	4	10	10	10