

panel mounting socket outlet, angled - flange 114x114,
fixing centers 90x90

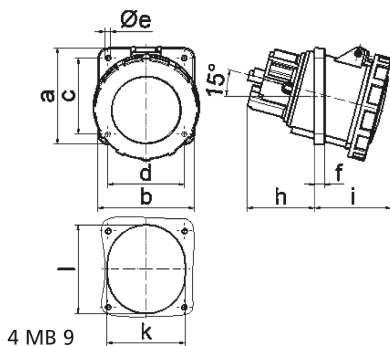


Product description	
BALS-Prd.-Nr	12034
EAN	4024941120340
Product category	TE panel mounting socket outlet, angled
Current	125A
Number of poles	4p
Arrangement of phases	3P+PE
Position of earth contact	5 h
Voltage	600 - 690V~

Product description	
Frequency	50/60Hz
Protection degree	IP67
Colour code	black RAL 9005
Colour of appliance	Hinged lid black RAL 9005, Enclosure grey RAL 7035, Bayonet ring grey RAL 7035
Connection design	screw terminal as box terminal with Kontex-contact
Maximum conductor size	70 mm ² (possible limitation by the used cable entry)
Cable entry	other
Height	135mm
Width	125mm
Depth	172mm
Flange size vertical in mm	114mm
Flange size horizontal in mm	114mm
Drill hole dist. vertical mm	90mm
Drill hole dist. horizontal mm	90mm
Material of enclosure	Polyamide
Contacts	The contact carrier is made of high temperature resistant material, the contacts are brass nickel plated

Logistics data	
Weight/pcs	0.965 kg / Piece
Packaging	Bag

Logistics data	
Content amount	1 ST
EAN	4024941120340
Length	172 mm
Width	125 mm
Height	135 mm
Weight	0.966 kg
Volume	2,902.5 ccm
Packaging	Carton
Content amount	5 ST
EAN	4024941837972
Length	325 mm
Width	217 mm
Height	210 mm
Weight	5.031 kg
Volume	13,588.4 ccm



Ampere	125	125	125			
Polzahl	3	4	5			
a	114,0	114,0	114,0			
b	114,0	114,0	114,0			
c	90,0	90,0	90,0			
d	90,0	90,0	90,0			
e ø	6,5	6,5	6,5			
f	12,0	12,0	12,0			
h	82,0	82,0	82,0			
i	90,0	90,0	90,0			
k	92,0	92,0	92,0			
l	105,0	105,0	105,0			
Leiter mm ² min	25	25	25			
Leiter mm ² max	70	70	70			