

panel mounting socket outlet, angled - flange 85x85, with auxiliary contact normally open - normally closed

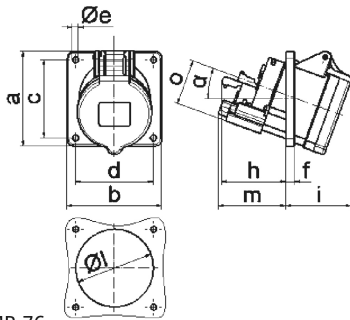


Product description	
BALS-Prd.-Nr	120587
EAN	4024941014755
Product category	TE panel mounting socket outlet Quick-Connect, angled
Current	16A
Number of poles	5p
Arrangement of phases	3p+N+PE
Position of earth contact	6 h
Voltage	200/346 - 240/415V~

Product description	
Frequency	50/60Hz
Protection degree	IP44
Colour code	red RAL 3000
Colour of appliance	Hinged lid red RAL 3000, Enclosure grey RAL 7035
Connection design	screwless spring terminals with Kontex-Kontakt
Maximum conductor size	4,0 qmm
Cable entry	other
Height	85mm
Width	85mm
Depth	116mm
Flange size vertical in mm	85mm
Flange size horizontal in mm	85mm
Drill hole dist. vertical mm	70mm
Drill hole dist. horizontal mm	70mm
Material of enclosure	Polyamide
Contacts	The contact carrier is made of high temperature resistant material, the contacts are brass nickel plated

Additional technical information	
	The inclination is 20°
	With N.O.contact normally open, With N.C. contact normally closed

Logistics data	
Weight/pcs	0.173 kg / Piece
Packaging	Bag
Content amount	1 ST
EAN	4024941014755
Length	116 mm
Width	85 mm
Height	85 mm
Weight	0.174 kg
Volume	838.1 ccm
Packaging	Carton
Content amount	10 ST
EAN	4024941831031
Length	245 mm
Width	177 mm
Height	185 mm
Weight	1.863 kg
Volume	7,140 ccm



4 MB 76

Ampere	16	16	16	32	32	32
Polzahl	3	4	4	3	4	5
a	85,0	85,0	85,0	85,0	85,0	85,0
b	85,0	85,0	85,0	85,0	85,0	85,0
c	70,0	70,0	70,0	70,0	70,0	70,0
d	70,0	70,0	70,0	70,0	70,0	70,0
e	5,5	5,5	5,5	5,5	5,5	5,5
f	8,0	8,0	8,0	8,0	8,0	8,0
h	46,0	46,0	46,0	61,0	61,0	61,0
i	50,0	51,0	54,0	60,0	60,0	60,0
l	57,0	65,0	70,0	78,0	78,0	78,0
m	57,0	57,0	58,0	62,0	62,0	63,0
o	34,0	37,0	41,0	42,0	42,0	44,0
α	20°	20°	20°	20°	20°	20°