

panel mounting socket outlet, angled - flange 85x85, with auxiliary contact normally open - normally closed

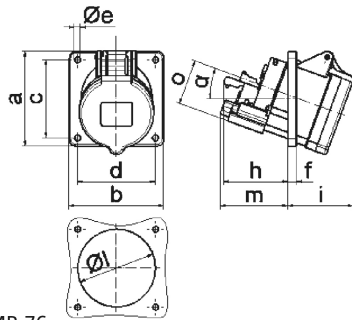


Product description	
BALS-Prd.-Nr	120588
EAN	4024941014762
Product category	TE panel mounting socket outlet Quick-Connect, angled
Current	32A
Number of poles	3p
Arrangement of phases	2P+PE
Position of earth contact	4 h
Voltage	100 - 130V~

Product description	
Frequency	50/60Hz
Protection degree	IP44
Colour code	yellow RAL 1012
Colour of appliance	Hinged lid yellow RAL 1012, Enclosure grey RAL 7035
Connection design	screwless spring terminals with Kontex-Kontakt
Maximum conductor size	10,0 qmm
Cable entry	other
Height	94mm
Width	85mm
Depth	126mm
Flange size vertical in mm	85mm
Flange size horizontal in mm	85mm
Drill hole dist. vertical mm	70mm
Drill hole dist. horizontal mm	70mm
Material of enclosure	Polyamide
Contacts	The contact carrier is made of high temperature resistant material, the contacts are brass nickel plated

Additional technical information	
	The inclination is 20°
	With N.O.contact normally open, With N.C. contact normally closed

Logistics data	
Weight/pcs	0.0 kg / Piece
Packaging	Bag
Content amount	1 ST
EAN	4024941014762
Length	126 mm
Width	85 mm
Height	94 mm
Weight	0.001 kg
Volume	1,006.74 ccm
Packaging	Carton
Content amount	10 ST
EAN	4024941830997
Length	295 mm
Width	185 mm
Height	215 mm
Weight	0.164 kg
Volume	9,975 ccm



4 MB 76

Ampere	16	16	16	32	32	32
Polzahl	3	4	4	3	4	5
a	85,0	85,0	85,0	85,0	85,0	85,0
b	85,0	85,0	85,0	85,0	85,0	85,0
c	70,0	70,0	70,0	70,0	70,0	70,0
d	70,0	70,0	70,0	70,0	70,0	70,0
e	5,5	5,5	5,5	5,5	5,5	5,5
f	8,0	8,0	8,0	8,0	8,0	8,0
h	46,0	46,0	46,0	61,0	61,0	61,0
i	50,0	51,0	54,0	60,0	60,0	60,0
l	57,0	65,0	70,0	78,0	78,0	78,0
m	57,0	57,0	58,0	62,0	62,0	63,0
o	34,0	37,0	41,0	42,0	42,0	44,0
α	20°	20°	20°	20°	20°	20°