

Panel mounting socket outlet angled - DC - flange 74x62 fixing centers 60x52

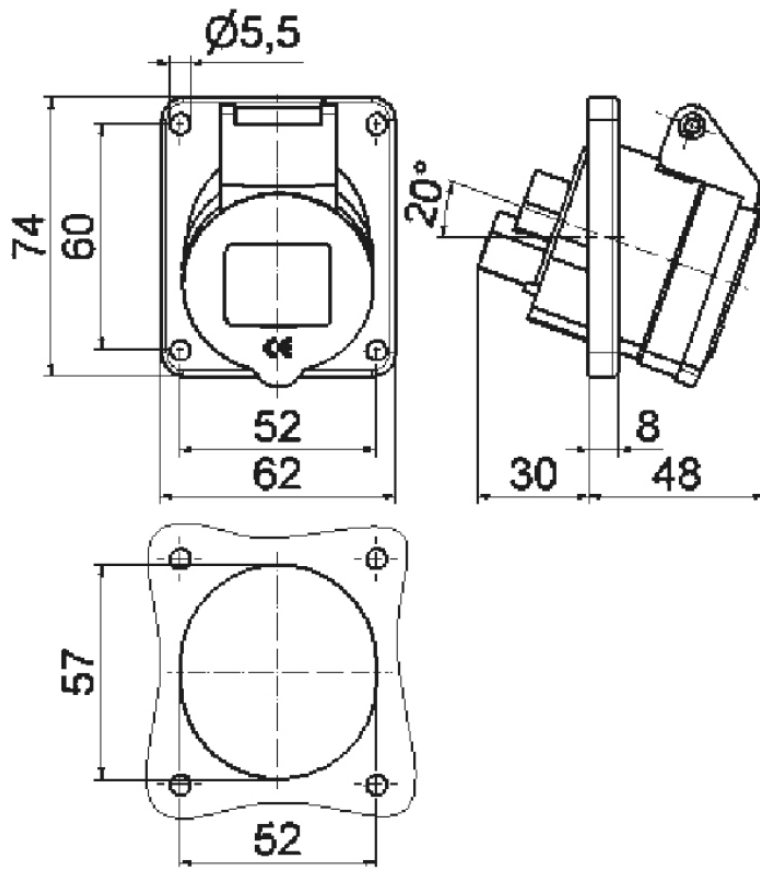


Product description	
BALS-Prd.-Nr	12144
EAN	4024941121446
Product category	Panel mounting socket outlet, angled
Current	16A
Number of poles	3p
Arrangement of phases	2P+PE
Position of earth contact	3 h
Voltage	> 50 - 250V DC

Product description	
Frequency	DC
Protection degree	IP44
Colour code	grey RAL 7035
Colour of appliance	Hinged lid grey RAL 7035, Enclosure grey RAL 7035
Connection design	with screw terminal
Maximum conductor size	4,0 qmm
Cable entry	other
Height	74mm
Width	62mm
Depth	76mm
Flange size vertical in mm	74mm
Flange size horizontal in mm	62mm
Drill hole dist. vertical mm	60mm
Drill hole dist. horizontal mm	52mm
Material of enclosure	Polyamide
Contacts	the contact carrier is made of high temperature resistant material, the contacts are brass nickel plated

Additional technical information	
	The inclination is 20°

Logistics data	
Weight/pcs	0.111 kg / Piece
Packaging	Bag
Content amount	1 ST
EAN	4024941121446
Length	76 mm
Width	62 mm
Height	74 mm
Weight	0.112 kg
Volume	348.688 ccm
Packaging	Carton
Content amount	10 ST
EAN	4024941837729
Length	207 mm
Width	162 mm
Height	142 mm
Weight	1.21 kg
Volume	3,750 ccm



4 MB 73