

Panel mounting socket outlet angled TN - flange 114x114 fixing centers 90x90



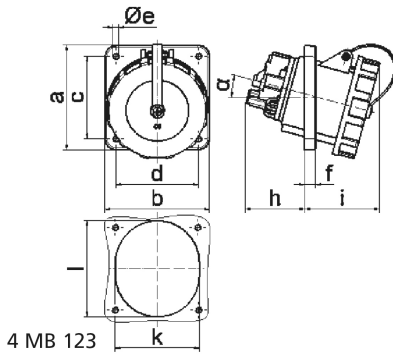
Product description	
BALS-Prd.-Nr	12240
EAN	4024941122405
Product category	TN panel mounting socket outlet, angled
Current	63A
Number of poles	5p
Arrangement of phases	3p+N+PE
Position of earth contact	11 h
Voltage	250/440 - 265/460V~

Product description	
Frequency	60Hz
VG-type-no.:	VG 96919 BS 011
Protection degree	IP67
Colour code	bronze-green RAL 6031-F9
Colour of appliance	Bayonet ring bronze-green RAL 6031-F9, Hinged lid bronze-green RAL 6031-F9, Enclosure bronze-green RAL 6031-F9
Connection design	screw terminal as box terminal with Kontex-contact
Maximum conductor size	25.0 qmm
Cable entry	other
Height	124mm
Width	114mm
Depth	144mm
Flange size vertical in mm	114mm
Flange size horizontal in mm	114mm
Drill hole dist. vertical mm	90mm
Drill hole dist. horizontal mm	90mm
Material of enclosure	Polyamide
Contacts	the contact carrier is made of polyamide, the contacts are brass nickel plated

Additional technical information	
	The inclination is 15°, with pilot contact

Additional technical information	
	With bayonet cover on strap

Logistics data	
Weight/pcs	0.63 kg / Piece
Packaging	Bag
Content amount	1 ST
EAN	4024941122405
Length	144 mm
Width	114 mm
Height	124 mm
Weight	0.631 kg
Volume	2,035.584 ccm
Packaging	Carton
Content amount	5 ST
EAN	4024941838818
Length	295 mm
Width	185 mm
Height	215 mm
Weight	3.314 kg
Volume	9,975 ccm



Ampere Polzahl	63 3	63 4	63 5	125 3	125 4	125 5
a	114,0	114,0	114,0	114,0	114,0	114,0
b	114,0	114,0	114,0	114,0	114,0	114,0
c	90,0	90,0	90,0	90,0	90,0	90,0
d	90,0	90,0	90,0	90,0	90,0	90,0
e ø	5,5	5,5	5,5	6,5	6,5	6,5
f	12,0	12,0	12,0	12,0	12,0	12,0
h	65,0	65,0	65,0	82,0	82,0	82,0
i	82,0	82,0	82,0	90,0	90,0	90,0
k	92,0	92,0	92,0	92,0	92,0	92,0
l	92,0	92,0	92,0	105,0	105,0	105,0
α	15°	15°	15°	15°	15°	15°
Leiter mm ² min	6,0	6,0	6,0	25,0	25,0	25,0
Leiter mm ² max	25,0	25,0	25,0	70,0	70,0	70,0