

panel mounting socket outlet, angled - flange 100x92,
fixing centers 85x77

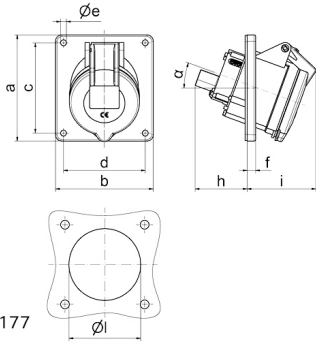


Product description	
BALS-Prd.-Nr	1229
EAN	4024941012294
Product category	Panel mounting socket outlet, angled
Current	32A
Number of poles	3p
Arrangement of phases	2P+PE
Position of earth contact	6 h
Voltage	200 - 250V~

Product description	
Frequency	50/60Hz
Protection degree	IP44
Colour code	blue RAL 5015
Colour of appliance	Hinged lid blue RAL 5015, Enclosure grey RAL 7035
Connection design	with screw terminal
Maximum conductor size	10,0 qmm
Cable entry	other
Height	101mm
Width	92mm
Depth	113mm
Flange size vertical in mm	100mm
Flange size horizontal in mm	92mm
Drill hole dist. vertical mm	85mm
Drill hole dist. horizontal mm	77mm
Material of enclosure	Polyamide
Contacts	The contact carrier is made of polyamide, The contacts are brass

Additional technical information	
	The inclination is 20°

Logistics data	
Weight/pcs	0.211 kg / Piece
Packaging	Bag
Content amount	1 ST
EAN	4024941012294
Length	113 mm
Width	92 mm
Height	101 mm
Weight	0.212 kg
Volume	1,049.996 ccm
Packaging	Carton
Content amount	10 ST
EAN	4024941968386
Length	258 mm
Width	183 mm
Height	212 mm
Weight	2.262 kg
Volume	8,750 ccm



Ampere	16	16	32	32	32		
Polzahl	4	5	3	4	5		
a	100,0	100,0	100,0	100,0	100,0		
b	92,0	92,0	92,0	92,0	92,0		
c	85,0	85,0	85,0	85,0	85,0		
d	77,0	77,0	77,0	77,0	77,0		
Ø e	5,5	5,5	5,5	5,5	5,5		
f	8,0	8,0	8,0	8,0	8,0		
h	30,0	29,0	50,0	50,0	34,0		
i	50,0	55,0	63,0	63,0	60,0		
Ø l	65,0	70,0	75,0	75,0	78,0		
α	20°	20°	20°	20°	20°		