

Panel mounting socket outlet angled - flange 85x85 fixing centers 70x70

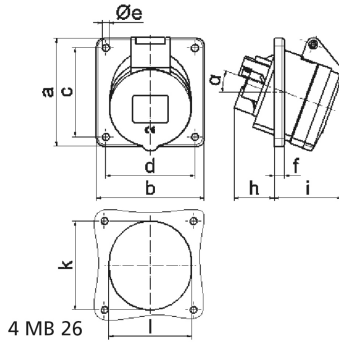


| Product description | |
|---------------------------|--------------------------------------|
| BALS-Prd.-Nr | 12310 |
| EAN | 4024941123105 |
| Product category | Panel mounting socket outlet, angled |
| Current | 32A |
| Number of poles | 3p |
| Arrangement of phases | 2P+PE |
| Position of earth contact | 6 h |
| Voltage | 200 - 250V~ |

| Product description | |
|--------------------------------|------------------------------------------------------------------|
| Frequency | 50/60Hz |
| Protection degree | IP44 |
| Colour code | blue RAL 5015 |
| Colour of appliance | Hinged lid blue RAL 5015, Enclosure grey RAL 7035 |
| Connection design | with screw terminal |
| Maximum conductor size | 10,0 qmm |
| Cable entry | other |
| Height | 94mm |
| Width | 85mm |
| Depth | 114mm |
| Flange size vertical in mm | 85mm |
| Flange size horizontal in mm | 85mm |
| Drill hole dist. vertical mm | 70mm |
| Drill hole dist. horizontal mm | 70mm |
| Material of enclosure | Polyamide |
| Contacts | the contact carrier is made of polyamide, the contacts are brass |

| Additional technical information | |
|----------------------------------|------------------------|
| | The inclination is 20° |

| Logistics data | |
|----------------|------------------|
| Weight/pcs | 0.197 kg / Piece |
| Packaging | Bag |
| Content amount | 1 ST |
| EAN | 4024941123105 |
| Length | 114 mm |
| Width | 85 mm |
| Height | 94 mm |
| Weight | 0.198 kg |
| Volume | 910.86 ccm |
| Packaging | Carton |
| Content amount | 10 ST |
| EAN | 4024941826358 |
| Length | 245 mm |
| Width | 177 mm |
| Height | 185 mm |
| Weight | 2.103 kg |
| Volume | 7,140 ccm |



| Ampere | 16 | 16 | 16 | 32 | 32 | 32 |
|----------------------------|------|------|------|------|------|------|
| Polzahl | 3 | 4 | 5 | 3 | 4 | 5 |
| a | 85,0 | 85,0 | 85,0 | 85,0 | 85,0 | 85,0 |
| b | 85,0 | 85,0 | 85,0 | 85,0 | 85,0 | 85,0 |
| c | 70,0 | 70,0 | 70,0 | 70,0 | 70,0 | 70,0 |
| d | 70,0 | 70,0 | 70,0 | 70,0 | 70,0 | 70,0 |
| e ø | 5,5 | 5,5 | 5,5 | 5,5 | 5,5 | 5,5 |
| f | 8,0 | 8,0 | 8,0 | 8,0 | 8,0 | 8,0 |
| h | 30,0 | 30,0 | 30,0 | 50,0 | 50,0 | 34,0 |
| i | 48,0 | 50,0 | 54,0 | 63,0 | 63,0 | 60,0 |
| k | 57,0 | 65,0 | 70,0 | 78,0 | 78,0 | 78,0 |
| l | 57,0 | 65,0 | 70,0 | 78,0 | 78,0 | 78,0 |
| α | 20° | 20° | 20° | 20° | 20° | 20° |
| Leiter mm ² min | 1,5 | 1,5 | 1,5 | 2,5 | 2,5 | 2,5 |
| Leiter mm ² max | 4 | 4 | 4 | 10 | 10 | 10 |