

## Panel mounting socket outlet angled - flange 114x114 fixing centers 90x90

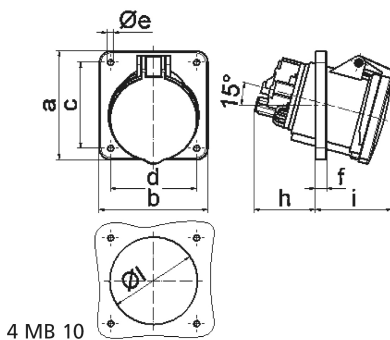


| Product description       |                                      |
|---------------------------|--------------------------------------|
| BALS-Prd.-Nr              | 12383                                |
| EAN                       | 4024941123839                        |
| Product category          | Panel mounting socket outlet, angled |
| Current                   | 63A                                  |
| Number of poles           | 5p                                   |
| Arrangement of phases     | 3p+N+PE                              |
| Position of earth contact | 10 h                                 |
| Voltage                   | > 50V~                               |

| Product description            |  |
|--------------------------------|--|
| Frequency                      | 100 - 300Hz  |
| Protection degree              | IP44   |
| Colour code                    | green RAL 6002   |
| Colour of appliance            | Hinged lid green RAL 6002, Enclosure grey RAL 7035                             |
| Connection design              | screw terminal as box terminal with Kontex-contact                             |
| Maximum conductor size         | 25.0 qmm   |
| Cable entry                    | other  |
| Height                         | 119mm  |
| Width                          | 114mm  |
| Depth                          | 148mm  |
| Flange size vertical in mm     | 114mm  |
| Flange size horizontal in mm   | 114mm  |
| Drill hole dist. vertical mm   | 90mm   |
| Drill hole dist. horizontal mm | 90mm   |
| Material of enclosure          | Polyamide  |
| Contacts                       | the contact carrier is made of polyamide, the contacts are brass nickel plated |

| Additional technical information |                        |
|----------------------------------|------------------------|
|                                  | The inclination is 15° |

| Logistics data |                  |
|----------------|------------------|
| Weight/pcs     | 0.535 kg / Piece |
| Packaging      | Carton           |
| Content amount | 5 ST             |
| EAN            | 4024941829878    |
| Length         | 295 mm           |
| Width          | 185 mm           |
| Height         | 215 mm           |
| Weight         | 2.836 kg         |
| Volume         | 9,975 ccm        |



4 MB 10

| Ampere                     | 63    | 63    | 63    |  |  |  |
|----------------------------|-------|-------|-------|--|--|--|
| Polzahl                    | 3     | 4     | 5     |  |  |  |
| a                          | 114,0 | 114,0 | 114,0 |  |  |  |
| b                          | 114,0 | 114,0 | 114,0 |  |  |  |
| c                          | 90,0  | 90,0  | 90,0  |  |  |  |
| d                          | 90,0  | 90,0  | 90,0  |  |  |  |
| e ø                        | 6,5   | 6,5   | 6,5   |  |  |  |
| f                          | 12,0  | 12,0  | 12,0  |  |  |  |
| h                          | 65,0  | 65,0  | 65,0  |  |  |  |
| i                          | 81,0  | 81,0  | 81,0  |  |  |  |
| l                          | 92,0  | 92,0  | 92,0  |  |  |  |
| Leiter mm <sup>2</sup> min | 6     | 6     | 6     |  |  |  |
| Leiter mm <sup>2</sup> max | 25    | 25    | 25    |  |  |  |
|                            |       |       |       |  |  |  |
|                            |       |       |       |  |  |  |