

Panel mounting socket outlet angled - 7 poles flange 100x92

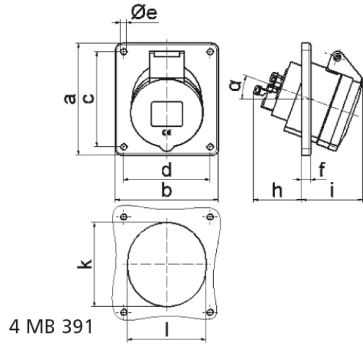


Product description	
BALS-Prd.-Nr	12390
EAN	4024941123907
Product category	TE panel mounting socket outlet, angled
Current	16A
Number of poles	7p
Arrangement of phases	6p+PE
Position of earth contact	9 h
Voltage	230V~

Product description	
Frequency	50/60Hz
Protection degree	IP44
Colour code	blue RAL 5015
Colour of appliance	Hinged lid blue RAL 5015, Enclosure grey RAL 7035
Connection design	with screw terminal
Maximum conductor size	4,0 qmm
Cable entry	other
Height	100mm
Width	92mm
Depth	84mm
Flange size vertical in mm	100mm
Flange size horizontal in mm	92mm
Drill hole dist. vertical mm	85mm
Drill hole dist. horizontal mm	77mm
Material of enclosure	Polyamide
Contacts	the contact carrier is made of high temperature resistant material, the contacts are brass nickel plated

Additional technical information	
	The inclination is 20°

Logistics data	
Weight/pcs	0.213 kg / Piece
Packaging	Bag
Content amount	1 ST
EAN	4024941123907
Length	84 mm
Width	92 mm
Height	100 mm
Weight	0.214 kg
Volume	772.8 ccm
Packaging	Carton
Content amount	10 ST
EAN	4024941835923
Length	245 mm
Width	177 mm
Height	185 mm
Weight	2.263 kg
Volume	7,140 ccm



Ampere	16	32					
Polzahl	7	7					
a	100,0	100,0					
b	92,0	92,0					
c	85,0	85,0					
d	77,0	77,0					
e ø	5,5	5,5					
f	8,0	8,0					
h	46,0	61,0					
i	55,0	60,0					
k	70,0	78,0					
l	70,0	78,0					
∞	20°	20°					
Leiter mm ² min	1,5	2,5					
Leiter mm ² max	4	10					