

panel mounting socket outlet, angled - 7 poles, flange 100x92

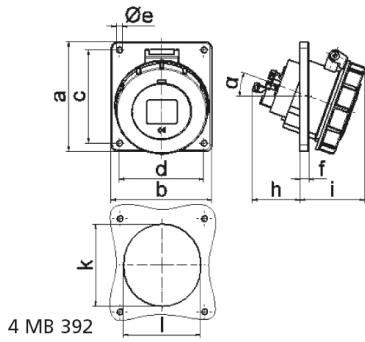


Product description	
BALS-Prd.-Nr	12397
EAN	4024941123976
Product category	Panel mounting socket outlet, angled
Current	32A
Number of poles	7p
Arrangement of phases	6p+PE
Position of earth contact	6 h
Voltage	400V~

Product description	
Frequency	50/60Hz
Protection degree	IP67
Colour code	red RAL 3000
Colour of appliance	Hinged lid red RAL 3000, Bayonet ring grey RAL 7035, Enclosure grey RAL 7035
Connection design	with screw terminal
Maximum conductor size	10,0 qmm
Cable entry	other
Height	110mm
Width	101mm
Depth	100mm
Flange size vertical in mm	100mm
Flange size horizontal in mm	92mm
Drill hole dist. vertical mm	85mm
Drill hole dist. horizontal mm	77mm
Material of enclosure	Polyamide
Contacts	The contact carrier is made of high temperature resistant material, The contacts are brass

Additional technical information	
	The inclination is 20°

Logistics data	
Weight/pcs	0.331 kg / Piece
Packaging	Bag
Content amount	1 ST
EAN	4024941123976
Length	100 mm
Width	101 mm
Height	110 mm
Weight	0.332 kg
Volume	1,111 ccm
Packaging	Carton
Content amount	10 ST
EAN	4024941820639
Length	295 mm
Width	185 mm
Height	215 mm
Weight	3.474 kg
Volume	9,975 ccm



Ampere	16	32					
Polzahl	7	7					
a	100,0	100,0					
b	92,0	92,0					
c	85,0	85,0					
d	77,0	77,0					
e ø	5,5	5,5					
f	8,0	8,0					
h	46,0	61,0					
i	60,0	69,0					
k	70,0	78,0					
l	70,0	78,0					
∞	20°	20°					
Leiter mm ² min	1,5	2,5					
Leiter mm ² max	4	10					