

Panel mounting socket outlet angled - flange 85x85 with auxiliary contact normally open - normally closed

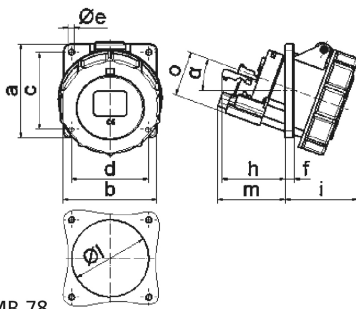


Product description	
BALS-Prd.-Nr	12596
EAN	4024941125963
Product category	TE panel mounting socket outlet QUICK-CONNECT, angled
Current	32A
Number of poles	5p
Arrangement of phases	3p+N+PE
Position of earth contact	6 h
Voltage	200/346 - 240/415V~

Product description	
Frequency	50/60Hz
Protection degree	IP67
Colour code	red RAL 3000
Colour of appliance	Hinged lid red RAL 3000, Bayonet ring grey RAL 7035, Enclosure grey RAL 7035
Connection design	screwless spring terminals with KONTEX-contact
Maximum conductor size	10,0 qmm
Cable entry	other
Height	111mm
Width	102mm
Depth	129mm
Flange size vertical in mm	85mm
Flange size horizontal in mm	85mm
Drill hole dist. vertical mm	70mm
Drill hole dist. horizontal mm	70mm
Material of enclosure	Polyamide
Contacts	the contact carrier is made of high temperature resistant material, the contacts are brass nickel plated

Additional technical information	
	The inclination is 20°
	With N.O. contact normally close, With N.O. contact normally open

Logistics data	
Weight/pcs	0.308 kg / Piece
Packaging	Bag
Content amount	1 ST
EAN	4024941125963
Length	129 mm
Width	102 mm
Height	111 mm
Weight	0.309 kg
Volume	1,460.538 ccm
Packaging	Carton
Content amount	10 ST
EAN	4024941831154
Length	325 mm
Width	217 mm
Height	210 mm
Weight	3.286 kg
Volume	13,588.4 ccm



4 MB 78

Ampere Polzahl	16 3	16 4	16 5	32 3	32 4	32 5
a	85,0	85,0	85,0	85,0	85,0	85,0
b	85,0	85,0	85,0	85,0	85,0	85,0
c	70,0	70,0	70,0	70,0	70,0	70,0
d	70,0	70,0	70,0	70,0	70,0	70,0
e	5,5	5,5	5,5	5,5	5,5	5,5
f	8,0	8,0	8,0	8,0	8,0	8,0
h	46,0	46,0	46,0	55,0	55,0	55,0
i	57,0	57,0	60,0	65,0	65,0	69,0
l	57,0	65,0	70,0	75,0	75,0	78,0
m	57,0	57,0	58,0	62,0	62,0	63,0
o	34,0	37,0	41,0	42,0	42,0	44,0
α	20°	20°	20°	20°	20°	20°