

Panel mounting socket outlet angled - flange 85x85 with auxiliary contact normally open - normally closed

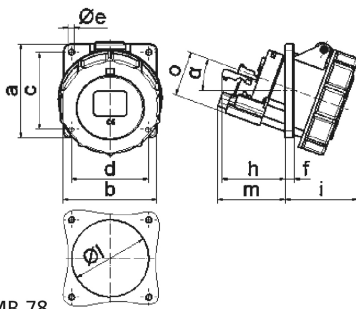


Product description	
BALS-Prd.-Nr	12646
EAN	4024941126465
Product category	TE panel mounting socket outlet QUICK-CONNECT, angled
Current	32A
Number of poles	3p
Arrangement of phases	2P+PE
Position of earth contact	6 h
Voltage	200 - 250V~

Product description	
Frequency	50/60Hz
Protection degree	IP67
Colour code	blue RAL 5015
Colour of appliance	Hinged lid blue RAL 5015, Bayonet ring grey RAL 7035, Enclosure grey RAL 7035
Connection design	screwless spring terminals with KONTEX-contact
Maximum conductor size	10,0 qmm
Cable entry	other
Height	102mm
Width	94mm
Depth	129mm
Flange size vertical in mm	85mm
Flange size horizontal in mm	85mm
Drill hole dist. vertical mm	70mm
Drill hole dist. horizontal mm	70mm
Material of enclosure	Polyamide
Contacts	the contact carrier is made of high temperature resistant material, the contacts are brass nickel plated

Additional technical information	
	The inclination is 20°
	With N.O. contact normally close, With N.O.contact normally open

Logistics data	
Weight/pcs	0.256 kg / Piece
Packaging	Bag
Content amount	1 ST
EAN	4024941126465
Length	129 mm
Width	94 mm
Height	102 mm
Weight	0.257 kg
Volume	1,236.852 ccm
Packaging	Carton
Content amount	10 ST
EAN	4024941831109
Length	295 mm
Width	185 mm
Height	215 mm
Weight	2.724 kg
Volume	9,975 ccm



4 MB 78

Ampere Polzahl	16 3	16 4	16 5	32 3	32 4	32 5
a	85,0	85,0	85,0	85,0	85,0	85,0
b	85,0	85,0	85,0	85,0	85,0	85,0
c	70,0	70,0	70,0	70,0	70,0	70,0
d	70,0	70,0	70,0	70,0	70,0	70,0
e	5,5	5,5	5,5	5,5	5,5	5,5
f	8,0	8,0	8,0	8,0	8,0	8,0
h	46,0	46,0	46,0	55,0	55,0	55,0
i	57,0	57,0	60,0	65,0	65,0	69,0
l	57,0	65,0	70,0	75,0	75,0	78,0
m	57,0	57,0	58,0	62,0	62,0	63,0
o	34,0	37,0	41,0	42,0	42,0	44,0
α	20°	20°	20°	20°	20°	20°