

Panel mounting socket outlet angled - flange 85x85 with auxiliary contact normally open - normally closed

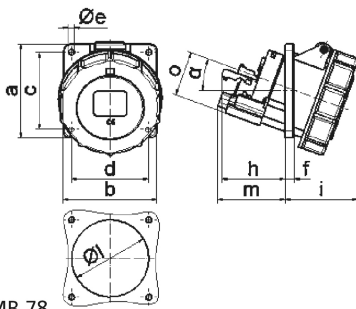


Product description	
BALS-Prd.-Nr	12653
EAN	4024941126533
Product category	TE panel mounting socket outlet QUICK-CONNECT, angled
Current	16A
Number of poles	4p
Arrangement of phases	3P+PE
Position of earth contact	7 h
Voltage	480 - 500V~

Product description	
Frequency	50/60Hz
Protection degree	IP67
Colour code	black RAL 9005
Colour of appliance	Hinged lid black RAL 9005, Bayonet ring grey RAL 7035, Enclosure grey RAL 7035
Connection design	screwless spring terminals with KONTEX-contact
Maximum conductor size	4,0 qmm
Cable entry	other
Height	91mm
Width	85mm
Depth	112mm
Flange size vertical in mm	85mm
Flange size horizontal in mm	85mm
Drill hole dist. vertical mm	70mm
Drill hole dist. horizontal mm	70mm
Material of enclosure	Polyamide
Contacts	the contact carrier is made of high temperature resistant material, the contacts are brass nickel plated

Additional technical information	
	The inclination is 20°
	With N.O. contact normally close, With N.O. contact normally open

Logistics data	
Weight/pcs	0.0 kg / Piece
Packaging	Bag
Content amount	1 ST
EAN	4024941126533
Length	112 mm
Width	85 mm
Height	91 mm
Weight	0.001 kg
Volume	866.32 ccm
Packaging	Carton
Content amount	10 ST
EAN	4024941831161
Length	245 mm
Width	177 mm
Height	185 mm
Weight	0.133 kg
Volume	7,140 ccm



4 MB 78

Ampere Polzahl	16 3	16 4	16 5	32 3	32 4	32 5
a	85,0	85,0	85,0	85,0	85,0	85,0
b	85,0	85,0	85,0	85,0	85,0	85,0
c	70,0	70,0	70,0	70,0	70,0	70,0
d	70,0	70,0	70,0	70,0	70,0	70,0
e	5,5	5,5	5,5	5,5	5,5	5,5
f	8,0	8,0	8,0	8,0	8,0	8,0
h	46,0	46,0	46,0	55,0	55,0	55,0
i	57,0	57,0	60,0	65,0	65,0	69,0
l	57,0	65,0	70,0	75,0	75,0	78,0
m	57,0	57,0	58,0	62,0	62,0	63,0
o	34,0	37,0	41,0	42,0	42,0	44,0
α	20°	20°	20°	20°	20°	20°