

Panel mounting socket outlet angled - flange 85x85 fixing centers 70x70



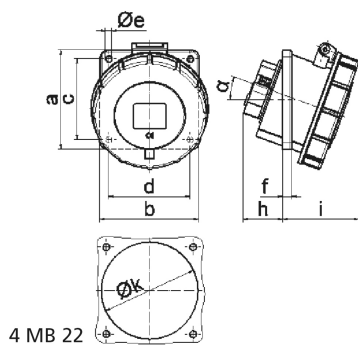
Product description	
BALS-Prod.-Nr	12717
EAN	4024941127172
Product category	Panel mounting socket outlet, angled
Current	16A
Number of poles	5p
Arrangement of phases	3p+N+PE
Position of earth contact	7 h
Voltage	277/480 - 288/500V~
Frequency	50/60Hz

Product description	
Protection degree	IP67
Colour code	black RAL 9005
Colour of appliance	Hinged lid black RAL 9005, Bayonet ring grey RAL 7035, Enclosure grey RAL 7035
Connection design	with screw terminal
Maximum conductor size	4,0 qmm
Cable entry	other
Height	96mm
Width	86mm
Depth	89mm
Flange size vertical in mm	85mm
Flange size horizontal in mm	85mm
Drill hole dist. vertical mm	70mm
Drill hole dist. horizontal mm	70mm
Material of enclosure	Polyamide
Contacts	the contact carrier is made of polyamide, the contacts are brass

Additional technical information	
	The inclination is 20°

Logistics data	
Weight/pcs	0.218 kg / Piece

Logistics data	
Packaging	Bag
Content amount	1 ST
EAN	4024941127172
Length	89 mm
Width	86 mm
Height	96 mm
Weight	0.219 kg
Volume	734.784 ccm
Packaging	Carton
Content amount	10 ST
EAN	4024941841535
Length	245 mm
Width	177 mm
Height	185 mm
Weight	2.313 kg
Volume	7,140 ccm



4 MB 22

Ampere	16	16	16	32	32	32
Polzahl	3	4	5	3	4	5
a	85,0	85,0	85,0	85,0	85,0	85,0
b	85,0	85,0	85,0	85,0	85,0	85,0
c	70,0	70,0	70,0	70,0	70,0	70,0
d	70,0	70,0	70,0	70,0	70,0	70,0
e ø	5,5	5,5	5,5	5,5	5,5	5,5
f	8,0	8,0	8,0	8,0	8,0	8,0
h	30,0	30,0	30,0	50,0	50,0	34,0
i	55,0	57,0	59,0	67,0	67,0	69,0
k	57,0	65,0	70,0	78,0	78,0	78,0
l	57,0	65,0	70,0	78,0	78,0	78,0
α	20°	20°	20°	20°	20°	20°
Leiter mm ² min	1,5	1,5	1,5	2,5	2,5	2,5
Leiter mm ² max	4	4	4	10	10	10