

Panel mounting socket outlet angled - flange 87x71 fixing centers 70x52

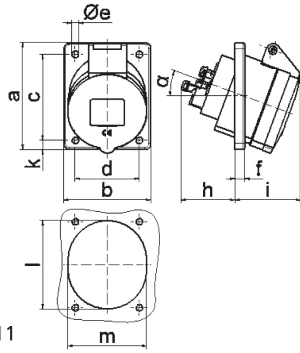


| Product description | |
|---------------------------|--|
| BALS-Prd.-Nr | 12742 |
| EAN | 4024941127424 |
| Product category | Panel mounting socket outlet QUICK-CONNECT, angled |
| Current | 16A |
| Number of poles | 5p |
| Arrangement of phases | 3p+N+PE |
| Position of earth contact | 7 h |
| Voltage | 277/480 - 288/500V~ |

| Product description | |
|--------------------------------|--|
| Frequency | 50/60Hz |
| Protection degree | IP44 |
| Colour code | black RAL 9005 |
| Colour of appliance | Hinged lid black RAL 9005, Enclosure grey RAL 7035 |
| Connection design | screwless spring terminals with KONTEX-contact |
| Maximum conductor size | 4,0 qmm |
| Cable entry | other |
| Height | 90mm |
| Width | 71mm |
| Depth | 96mm |
| Flange size vertical in mm | 87mm |
| Flange size horizontal in mm | 71mm |
| Drill hole dist. vertical mm | 70mm |
| Drill hole dist. horizontal mm | 52mm |
| Material of enclosure | Polyamide |
| Contacts | the contact carrier is made of polyamide, the contacts are brass |

| Additional technical information | |
|----------------------------------|------------------------|
| | The inclination is 20° |

| Logistics data | |
|----------------|------------------|
| Weight/pcs | 0.139 kg / Piece |
| Packaging | Bag |
| Content amount | 1 ST |
| EAN | 4024941127424 |
| Length | 96 mm |
| Width | 71 mm |
| Height | 90 mm |
| Weight | 0.14 kg |
| Volume | 613.44 ccm |
| Packaging | Carton |
| Content amount | 10 ST |
| EAN | 4024941820776 |
| Length | 245 mm |
| Width | 177 mm |
| Height | 185 mm |
| Weight | 1.523 kg |
| Volume | 7,140 ccm |



4 MB 111

| Ampere | 16 | 16 | 16 | | | |
|----------------------------|------|------|------|--|--|--|
| Polzahl | 3 | 4 | 5 | | | |
| a | 68,0 | 87,0 | 87,0 | | | |
| b | 62,0 | 71,0 | 71,0 | | | |
| c | 47,0 | 70,0 | 70,0 | | | |
| d | 47,0 | 52,0 | 52,0 | | | |
| e Ø | 5,5 | 5,5 | 5,5 | | | |
| f | 8,0 | 5,5 | 5,5 | | | |
| h | 46,0 | 46,0 | 46,0 | | | |
| i | 50,0 | 54,0 | 54,0 | | | |
| k | - | 9,5 | 9,5 | | | |
| l | 56,0 | 65,0 | 72,0 | | | |
| m | 51,0 | 58,0 | 64,0 | | | |
| α | 20° | 20° | 20° | | | |
| Leiter mm ² min | 1,5 | 1,5 | 1,5 | | | |
| Leiter mm ² max | 4 | 4 | 4 | | | |