

Panel mounting socket outlet angled - flange 75x75 fixing centers 60x60

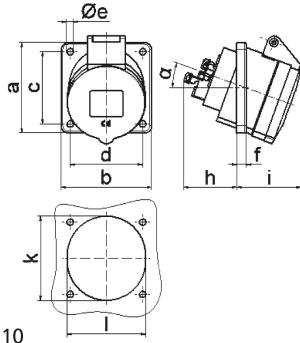


Product description	
BALS-Prd.-Nr	12745
EAN	4024941127455
Product category	Panel mounting socket outlet QUICK-CONNECT, angled
Current	16A
Number of poles	5p
Arrangement of phases	3p+N+PE
Position of earth contact	7 h
Voltage	277/480 - 288/500V~

Product description	
Frequency	50/60Hz
Protection degree	IP44
Colour code	black RAL 9005
Colour of appliance	Hinged lid black RAL 9005, Enclosure grey RAL 7035
Connection design	screwless spring terminals with KONTEX-contact
Maximum conductor size	4,0 qmm
Cable entry	other
Height	90mm
Width	75mm
Depth	96mm
Flange size vertical in mm	75mm
Flange size horizontal in mm	75mm
Drill hole dist. vertical mm	60mm
Drill hole dist. horizontal mm	60mm
Material of enclosure	Polyamide
Contacts	the contact carrier is made of polyamide, the contacts are brass

Additional technical information	
	The inclination is 20°

Logistics data	
Weight/pcs	0.14 kg / Piece
Packaging	Bag
Content amount	1 ST
EAN	4024941127455
Length	96 mm
Width	75 mm
Height	90 mm
Weight	0.141 kg
Volume	1,190.135 ccm
Packaging	Carton
Content amount	10 ST
EAN	4024941829328
Length	245 mm
Width	177 mm
Height	185 mm
Weight	1.533 kg
Volume	7,140 ccm



4 MB 110

Ampere	16					
Polzahl	5					
a	75,0					
b	75,0					
c	60,0					
d	60,0					
e Ø	5,5					
f	8,0					
h	46,0					
i	54,0					
k	70,0					
l	65,0					
α	20°					
Leiter mm ² min	1,5					
Leiter mm ² max	4					