

Panel mounting socket outlet angled - flange 85x85 fixing centers 70x70

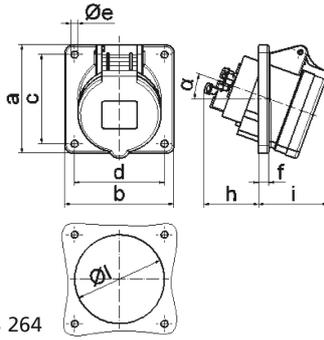


Product description	
BALS-Prd.-Nr	12749
EAN	4024941127493
Product category	Panel mounting socket outlet QUICK-CONNECT, angled
Current	16A
Number of poles	3p
Arrangement of phases	2P+PE
Position of earth contact	6 h
Voltage	200 - 250V~

Product description	
Frequency	50/60Hz
Protection degree	IP44
Colour code	blue RAL 5015
Colour of appliance	Hinged lid blue RAL 5015, Enclosure grey RAL 7035
Connection design	screwless spring terminals with KONTEX-contact
Maximum conductor size	4,0 qmm
Cable entry	other
Height	85mm
Width	85mm
Depth	103mm
Flange size vertical in mm	85mm
Flange size horizontal in mm	85mm
Drill hole dist. vertical mm	70mm
Drill hole dist. horizontal mm	70mm
Material of enclosure	Polyamide
Contacts	the contact carrier is made of polyamide, the contacts are brass

Additional technical information	
	The inclination is 20°

Logistics data	
Weight/pcs	0.13 kg / Piece
Packaging	Bag
Content amount	1 ST
EAN	4024941127493
Length	103 mm
Width	85 mm
Height	85 mm
Weight	0.131 kg
Volume	744.175 ccm
Packaging	Carton
Content amount	10 ST
EAN	4024941957809
Length	245 mm
Width	177 mm
Height	185 mm
Weight	1.433 kg
Volume	7,140 ccm



Ampere	16	16	16	32	32	32
Polzahl	3	4	5	3	4	5
a	85,0	85,0	85,0	85,0	85,0	85,0
b	85,0	85,0	85,0	85,0	85,0	85,0
c	70,0	70,0	70,0	70,0	70,0	70,0
d	70,0	70,0	70,0	70,0	70,0	70,0
e ø	5,5	5,5	5,5	5,5	5,5	5,5
f	8,0	8,0	8,0	8,0	8,0	8,0
h	46,0	46,0	46,0	55,0	55,0	55,0
i	50,0	51,0	54,0	60,0	60,0	60,0
l ø	57,0	65,0	70,0	78,0	78,0	78,0
α	20°	20°	20°	20°	20°	20°
Leiter mm ² min	1,5	1,5	1,5	2,5	2,5	2,5
Leiter mm ² max	4	4	4	10	10	10