

panel mounting socket outlet, angled - flange 85x85,
fixing centers 70x70

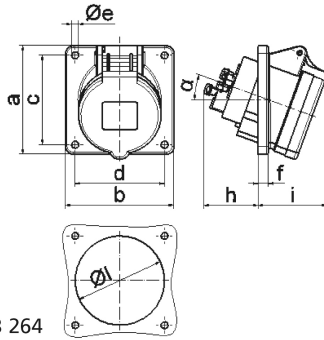


| Product description | |
|---------------------------|--|
| BALS-Prd.-Nr | 12759 |
| EAN | 4024941127592 |
| Product category | Panel mounting socket outlet Quick-Connect, angled |
| Current | 16A |
| Number of poles | 5p |
| Arrangement of phases | 3p+N+PE |
| Position of earth contact | 2 h |
| Voltage | > 50V~ |

| Product description | |
|--------------------------------|--|
| Frequency | > 300 - 500Hz |
| Protection degree | IP44 |
| Colour code | green RAL 6002 |
| Colour of appliance | Hinged lid green RAL 6002, Enclosure grey RAL 7035 |
| Connection design | screwless spring terminals with Kontex-Kontakt |
| Maximum conductor size | 4,0 qmm |
| Cable entry | other |
| Height | 89mm |
| Width | 85mm |
| Depth | 103mm |
| Flange size vertical in mm | 85mm |
| Flange size horizontal in mm | 85mm |
| Drill hole dist. vertical mm | 70mm |
| Drill hole dist. horizontal mm | 70mm |
| Material of enclosure | Polyamide |
| Contacts | The contact carrier is made of polyamide, The contacts are brass |

| Additional technical information | |
|----------------------------------|------------------------|
| | The inclination is 20° |

| Logistics data | |
|----------------|------------------|
| Weight/pcs | 0.148 kg / Piece |
| Packaging | Bag |
| Content amount | 1 ST |
| EAN | 4024941127592 |
| Length | 103 mm |
| Width | 85 mm |
| Height | 89 mm |
| Weight | 0.149 kg |
| Volume | 779.195 ccm |
| Packaging | Carton |
| Content amount | 10 ST |
| EAN | 4024941829540 |
| Length | 245 mm |
| Width | 177 mm |
| Height | 185 mm |
| Weight | 1.613 kg |
| Volume | 7,140 ccm |



4 MB 264

| Ampere | 16 | 16 | 16 | 32 | 32 | 32 |
|----------------------------|------|------|------|------|------|------|
| Polzahl | 3 | 4 | 5 | 3 | 4 | 5 |
| a | 85,0 | 85,0 | 85,0 | 85,0 | 85,0 | 85,0 |
| b | 85,0 | 85,0 | 85,0 | 85,0 | 85,0 | 85,0 |
| c | 70,0 | 70,0 | 70,0 | 70,0 | 70,0 | 70,0 |
| d | 70,0 | 70,0 | 70,0 | 70,0 | 70,0 | 70,0 |
| e ø | 5,5 | 5,5 | 5,5 | 5,5 | 5,5 | 5,5 |
| f | 8,0 | 8,0 | 8,0 | 8,0 | 8,0 | 8,0 |
| h | 46,0 | 46,0 | 46,0 | 55,0 | 55,0 | 55,0 |
| i | 50,0 | 51,0 | 54,0 | 60,0 | 60,0 | 60,0 |
| l ø | 57,0 | 65,0 | 70,0 | 78,0 | 78,0 | 78,0 |
| α | 20° | 20° | 20° | 20° | 20° | 20° |
| Leiter mm ² min | 1,5 | 1,5 | 1,5 | 2,5 | 2,5 | 2,5 |
| Leiter mm ² max | 4 | 4 | 4 | 10 | 10 | 10 |