

Panel mounting socket outlet angled - flange 100x92 fixing centers 85x77

Abbildung ähnlich - similar picture



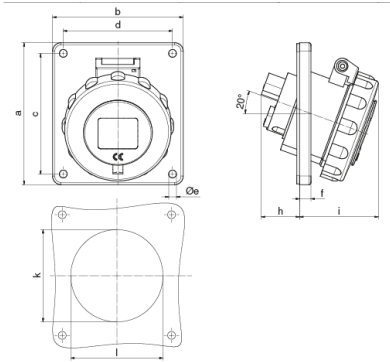
Product description	
BALS-Prd.-Nr	1278
EAN	4024941012782
Product category	Panel mounting socket outlet, angled
Current	32A
Number of poles	3p
Arrangement of phases	2P+PE
Position of earth contact	6 h
Voltage	200 - 250V~

Product description	
Frequency	50/60Hz
Protection degree	IP67
Colour code	blue RAL 5015
Colour of appliance	Hinged lid blue RAL 5015, Bayonet ring grey RAL 7035, Enclosure grey RAL 7035
Connection design	with screw terminal
Maximum conductor size	10,0 qmm
Cable entry	other
Height	109mm
Width	94mm
Depth	111mm
Flange size vertical in mm	100mm
Flange size horizontal in mm	92mm
Drill hole dist. vertical mm	85mm
Drill hole dist. horizontal mm	77mm
Material of enclosure	Polyamide
Contacts	the contact carrier is made of polyamide, the contacts are brass

Additional technical information	
	The inclination is 20°

Logistics data	
Weight/pcs	0.272 kg / Piece
Packaging	Bag
Content amount	1 ST
EAN	4024941012782
Length	111 mm
Width	94 mm
Height	109 mm
Weight	0.273 kg
Volume	1,137.306 ccm
Packaging	Carton
Content amount	10 ST
EAN	4024941970853
Length	295 mm
Width	185 mm
Height	215 mm
Weight	2.884 kg
Volume	9,975 ccm

Abbildung ähnlich - similar picture



Ampere Polzahl	16 4	16 5	32 3	32 4	32 5
a	100,0	100,0	100,0	100,0	100,0
b	92,0	92,0	92,0	92,0	92,0
c	85,0	85,0	85,0	85,0	85,0
d	77,0	77,0	77,0	77,0	77,0
Ø e	5,5	5,5	5,5	5,5	5,5
f	8,0	8,0	8,0	8,0	8,0
h	28,5	29,0	50,0	50,0	34,0
i	57,5	60,0	67,0	67,0	69,0
k	65,0	70,0	75,0	75,0	78,0
l	65,0	70,0	75,0	75,0	78,0
Leiter mm ² min	1,5	1,5	2,5	2,5	2,5
Leiter mm ² max	4	4	10	10	10