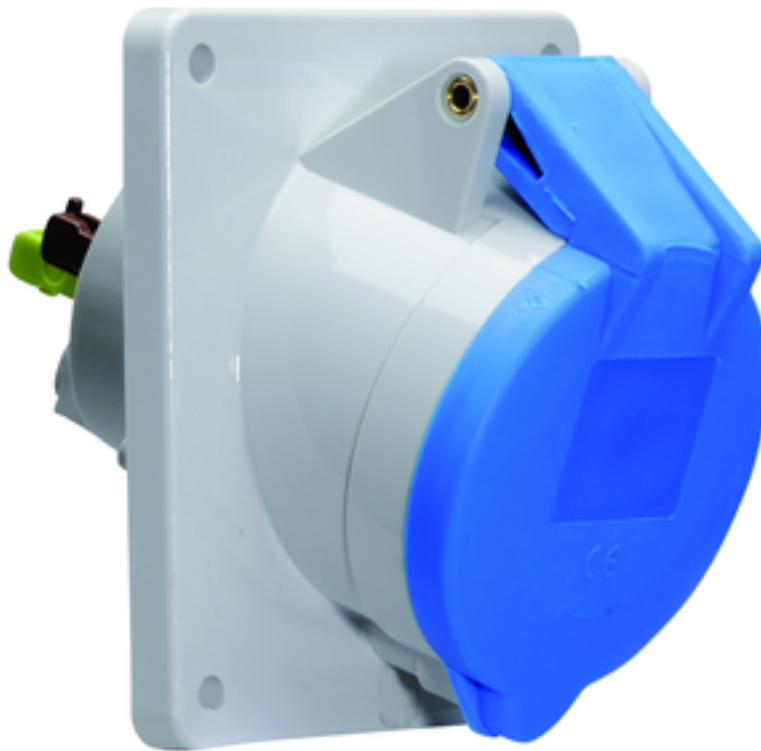


panel mounting socket outlet, angled - flange 100x92,
fixing centers 85x77

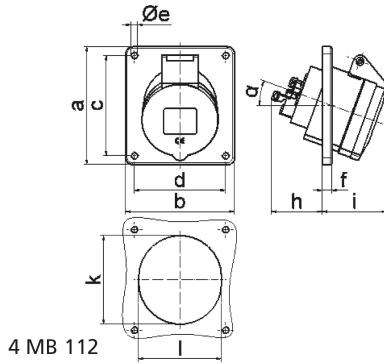


Product description	
BALS-Prd.-Nr	12794
EAN	4024941127943
Product category	Panel mounting socket outlet Quick-Connect, angled
Current	32A
Number of poles	4p
Arrangement of phases	3P+PE
Position of earth contact	9 h
Voltage	200 - 250V~

Product description	
Frequency	50/60Hz
Protection degree	IP44
Colour code	blue RAL 5015
Colour of appliance	Hinged lid blue RAL 5015, Enclosure grey RAL 7035
Connection design	screwless spring terminals with Kontex-Kontakt
Maximum conductor size	10,0 qmm
Cable entry	other
Height	101mm
Width	92mm
Depth	117mm
Flange size vertical in mm	100mm
Flange size horizontal in mm	92mm
Drill hole dist. vertical mm	85mm
Drill hole dist. horizontal mm	77mm
Material of enclosure	Polyamide
Contacts	The contact carrier is made of polyamide, The contacts are brass

Additional technical information	
	The inclination is 20°

Logistics data	
Weight/pcs	0.209 kg / Piece
Packaging	Bag
Content amount	1 ST
EAN	4024941127943
Length	117 mm
Width	92 mm
Height	101 mm
Weight	0.21 kg
Volume	1,087.164 ccm
Packaging	Carton
Content amount	10 ST
EAN	4024941820868
Length	122 mm
Width	222 mm
Height	538 mm
Weight	2.428 kg
Volume	14,332.32 ccm



Ampere	16	16	16	32	32	32
Polzahl	3	4	5	3	4	5
a	74,0	100,0	100,0	100,0	100,0	100,0
b	62,0	92,0	92,0	92,0	92,0	92,0
c	60,0	85,0	85,0	85,0	85,0	85,0
d	52,0	77,0	77,0	77,0	77,0	77,0
e ø	5,5	5,5	5,5	5,5	5,5	5,5
f	8,0	8,0	8,0	8,0	8,0	8,0
h	46,0	46,0	46,0	55,0	55,0	55,0
i	48,0	50,0	55,0	68,0	68,0	60,0
k	57,0	65,0	70,0	75,0	75,0	78,0
l	52,0	65,0	70,0	75,0	75,0	78,0
α	20°	20°	20°	20°	20°	20°
Leiter mm ² min	1,5	1,5	1,5	2,5	2,5	2,5
Leiter mm ² max	4	4	4	10	10	10