

Panel mounting socket outlet angled - flange 110x110 fixing centers 90x90

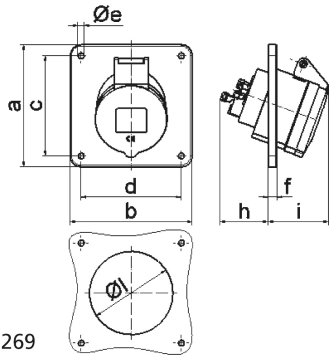


Product description	
BALS-Prd.-Nr	12806
EAN	4024941128063
Product category	Panel mounting socket outlet QUICK-CONNECT, angled
Current	32A
Number of poles	5p
Arrangement of phases	3p+N+PE
Position of earth contact	6 h
Voltage	200/346 - 240/415V~

Product description	
Frequency	50/60Hz
Protection degree	IP44
Colour code	red RAL 3000
Colour of appliance	Hinged lid red RAL 3000, Enclosure grey RAL 7035
Connection design	screwless spring terminals with KONTEX-contact
Maximum conductor size	10,0 qmm
Cable entry	other
Height	110mm
Width	110mm
Depth	113mm
Flange size vertical in mm	110mm
Flange size horizontal in mm	110mm
Drill hole dist. vertical mm	90mm
Drill hole dist. horizontal mm	90mm
Material of enclosure	Polyamide
Contacts	the contact carrier is made of polyamide, the contacts are brass

Additional technical information	
	The inclination is 20°

Logistics data	
Weight/pcs	0.247 kg / Piece
Packaging	Bag
Content amount	1 ST
EAN	4024941128063
Length	113 mm
Width	110 mm
Height	110 mm
Weight	0.248 kg
Volume	1,367.3 ccm
Packaging	Carton
Content amount	10 ST
EAN	4024941966290
Length	122 mm
Width	222 mm
Height	538 mm
Weight	2.808 kg
Volume	14,332.32 ccm



4 MB 269

Ampere	16	32				
Polzahl	5	5				
a	110,0	110,0				
b	110,0	110,0				
c	90,0	90,0				
d	90,0	90,0				
e ø	5,5	5,5				
f	8,0	8,0				
h	46,0	55,0				
i	56,0	60,0				
l ø	75,0	78,0				
Leiter mm ² min	1,5	2,5				
Leiter mm ² max	4	10				