

panel mounting socket outlet, angled - flange 68x62,
fixing centers 47x47

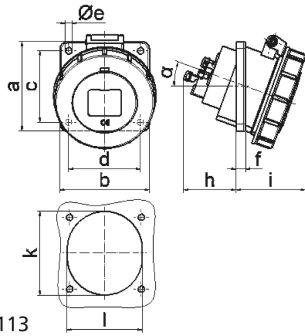


Product description	
BALS-Prd.-Nr	12808
EAN	4024941128087
Product category	Panel mounting socket outlet Quick-Connect, angled
Current	16A
Number of poles	3p
Arrangement of phases	2P+PE
Position of earth contact	4 h
Voltage	100 - 130V~

Product description	
Frequency	50/60Hz
Protection degree	IP67
Colour code	yellow RAL 1012
Colour of appliance	Hinged lid yellow RAL 1012, Bayonet ring grey RAL 7035, Enclosure grey RAL 7035
Connection design	screwless spring terminals with Kontex-Kontakt
Maximum conductor size	4,0 qmm
Cable entry	other
Height	82mm
Width	71mm
Depth	96mm
Flange size vertical in mm	68mm
Flange size horizontal in mm	62mm
Drill hole dist. vertical mm	47mm
Drill hole dist. horizontal mm	47mm
Material of enclosure	Polyamide
Contacts	The contact carrier is made of polyamide, The contacts are brass

Additional technical information	
	The inclination is 20°

Logistics data	
Weight/pcs	0.125 kg / Piece
Packaging	Bag
Content amount	1 ST
EAN	4024941128087
Length	96 mm
Width	71 mm
Height	82 mm
Weight	0.126 kg
Volume	558.912 ccm
Packaging	Carton
Content amount	10 ST
EAN	4024941830447
Length	275 mm
Width	175 mm
Height	137 mm
Weight	1.375 kg
Volume	5,737.5 ccm



Ampere	16	16					
Polzahl	3	5					
a	68,0	75,0					
b	62,0	75,0					
c	47,0	60,0					
d	47,0	60,0					
e ø	5,5	5,5					
f	8,0	5,5					
h	46,0	46,0					
i	57,0	60,0					
k	56,0	70,0					
l	51,0	63,0					
α	20°	20°					
Leiter mm ² min	1,5	1,5					
Leiter mm ² max	4	4					