

# Panel mounting socket outlet angled - flange 68x62 fixing centers 47x47

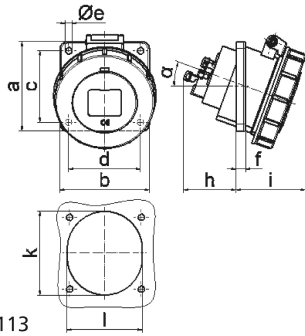


| Product description       |  |
|---------------------------|--|
| BALS-Prd.-Nr              | 12808  |
| EAN                       | 4024941128087                                      |
| Product category          | Panel mounting socket outlet QUICK-CONNECT, angled |
| Current                   | 16A  |
| Number of poles           | 3p   |
| Arrangement of phases     | 2P+PE  |
| Position of earth contact | 4 h  |
| Voltage                   | 100 - 130V~  |

| Product description            |   |
|--------------------------------|---|
| Frequency                      | 50/60Hz   |
| Protection degree              | IP67  |
| Colour code                    | yellow RAL 1012   |
| Colour of appliance            | Hinged lid yellow RAL 1012, Bayonet ring grey RAL 7035, Enclosure grey RAL 7035 |
| Connection design              | screwless spring terminals with KONTEX-contact                                  |
| Maximum conductor size         | 4,0 qmm   |
| Cable entry                    | other   |
| Height                         | 82mm  |
| Width                          | 71mm  |
| Depth                          | 96mm  |
| Flange size vertical in mm     | 68mm  |
| Flange size horizontal in mm   | 62mm  |
| Drill hole dist. vertical mm   | 47mm  |
| Drill hole dist. horizontal mm | 47mm  |
| Material of enclosure          | Polyamide   |
| Contacts                       | the contact carrier is made of polyamide, the contacts are brass                |

| Additional technical information |                        |
|----------------------------------|------------------------|
|                                  | The inclination is 20° |

| Logistics data |                  |
|----------------|------------------|
| Weight/pcs     | 0.125 kg / Piece |
| Packaging      | Bag              |
| Content amount | 1 ST             |
| EAN            | 4024941128087    |
| Length         | 96 mm            |
| Width          | 71 mm            |
| Height         | 82 mm            |
| Weight         | 0.126 kg         |
| Volume         | 558.912 ccm      |
| Packaging      | Carton           |
| Content amount | 10 ST            |
| EAN            | 4024941830447    |
| Length         | 275 mm           |
| Width          | 175 mm           |
| Height         | 137 mm           |
| Weight         | 1.375 kg         |
| Volume         | 5,737.5 ccm      |



4 MB 113

| Ampere                     | 16   | 16   |  |  |  |  |  |
|----------------------------|------|------|--|--|--|--|--|
| Polzahl                    | 3    | 5    |  |  |  |  |  |
| a                          | 68,0 | 75,0 |  |  |  |  |  |
| b                          | 62,0 | 75,0 |  |  |  |  |  |
| c                          | 47,0 | 60,0 |  |  |  |  |  |
| d                          | 47,0 | 60,0 |  |  |  |  |  |
| e ø                        | 5,5  | 5,5  |  |  |  |  |  |
| f                          | 8,0  | 5,5  |  |  |  |  |  |
| h                          | 46,0 | 46,0 |  |  |  |  |  |
| i                          | 57,0 | 60,0 |  |  |  |  |  |
| k                          | 56,0 | 70,0 |  |  |  |  |  |
| l                          | 51,0 | 63,0 |  |  |  |  |  |
| α                          | 20°  | 20°  |  |  |  |  |  |
| Leiter mm <sup>2</sup> min | 1,5  | 1,5  |  |  |  |  |  |
| Leiter mm <sup>2</sup> max | 4    | 4    |  |  |  |  |  |