

Panel mounting socket outlet angled - flange 75x75 fixing centers 60x60

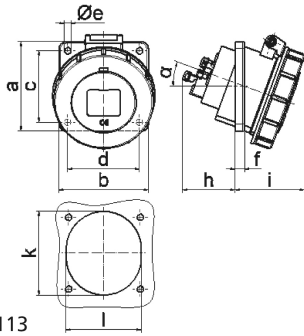


| Product description | |
|---------------------------|--|
| BALS-Prd.-Nr | 12812 |
| EAN | 4024941128124 |
| Product category | Panel mounting socket outlet QUICK-CONNECT, angled |
| Current | 16A |
| Number of poles | 5p |
| Arrangement of phases | 3p+N+PE |
| Position of earth contact | 6 h |
| Voltage | 200/346 - 240/415V~ |

| Product description | |
|--------------------------------|--|
| Frequency | 50/60Hz |
| Protection degree | IP67 |
| Colour code | red RAL 3000 |
| Colour of appliance | Hinged lid red RAL 3000, Bayonet ring grey RAL 7035, Enclosure grey RAL 7035 |
| Connection design | screwless spring terminals with KONTEX-contact |
| Maximum conductor size | 4,0 qmm |
| Cable entry | other |
| Height | 82mm |
| Width | 71mm |
| Depth | 96mm |
| Flange size vertical in mm | 75mm |
| Flange size horizontal in mm | 75mm |
| Drill hole dist. vertical mm | 60mm |
| Drill hole dist. horizontal mm | 60mm |
| Material of enclosure | Polyamide |
| Contacts | the contact carrier is made of polyamide, the contacts are brass |

| Additional technical information | |
|----------------------------------|------------------------|
| | The inclination is 20° |

| Logistics data | |
|----------------|------------------|
| Weight/pcs | 0.184 kg / Piece |
| Packaging | Bag |
| Content amount | 1 ST |
| EAN | 4024941128124 |
| Length | 96 mm |
| Width | 71 mm |
| Height | 82 mm |
| Weight | 0.185 kg |
| Volume | 558.912 ccm |
| Packaging | Carton |
| Content amount | 10 ST |
| EAN | 4024941830478 |
| Length | 245 mm |
| Width | 177 mm |
| Height | 185 mm |
| Weight | 1.973 kg |
| Volume | 7,140 ccm |



4 MB 113

| Ampere | 16 | 16 | | | | | |
|----------------------------|------|------|--|--|--|--|--|
| Polzahl | 3 | 5 | | | | | |
| a | 68,0 | 75,0 | | | | | |
| b | 62,0 | 75,0 | | | | | |
| c | 47,0 | 60,0 | | | | | |
| d | 47,0 | 60,0 | | | | | |
| e ø | 5,5 | 5,5 | | | | | |
| f | 8,0 | 5,5 | | | | | |
| h | 46,0 | 46,0 | | | | | |
| i | 57,0 | 60,0 | | | | | |
| k | 56,0 | 70,0 | | | | | |
| l | 51,0 | 63,0 | | | | | |
| α | 20° | 20° | | | | | |
| Leiter mm ² min | 1,5 | 1,5 | | | | | |
| Leiter mm ² max | 4 | 4 | | | | | |